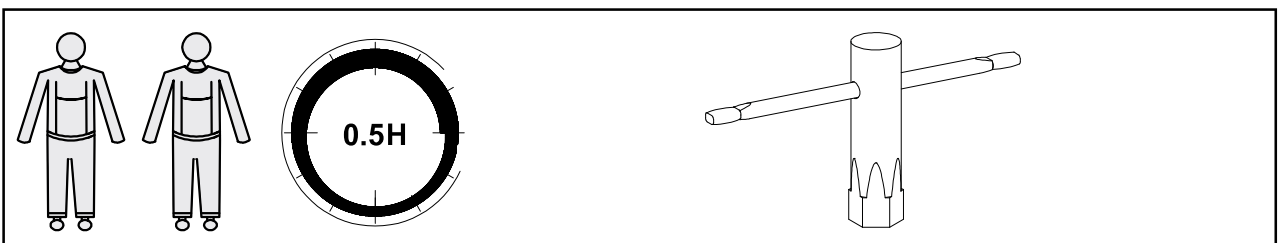
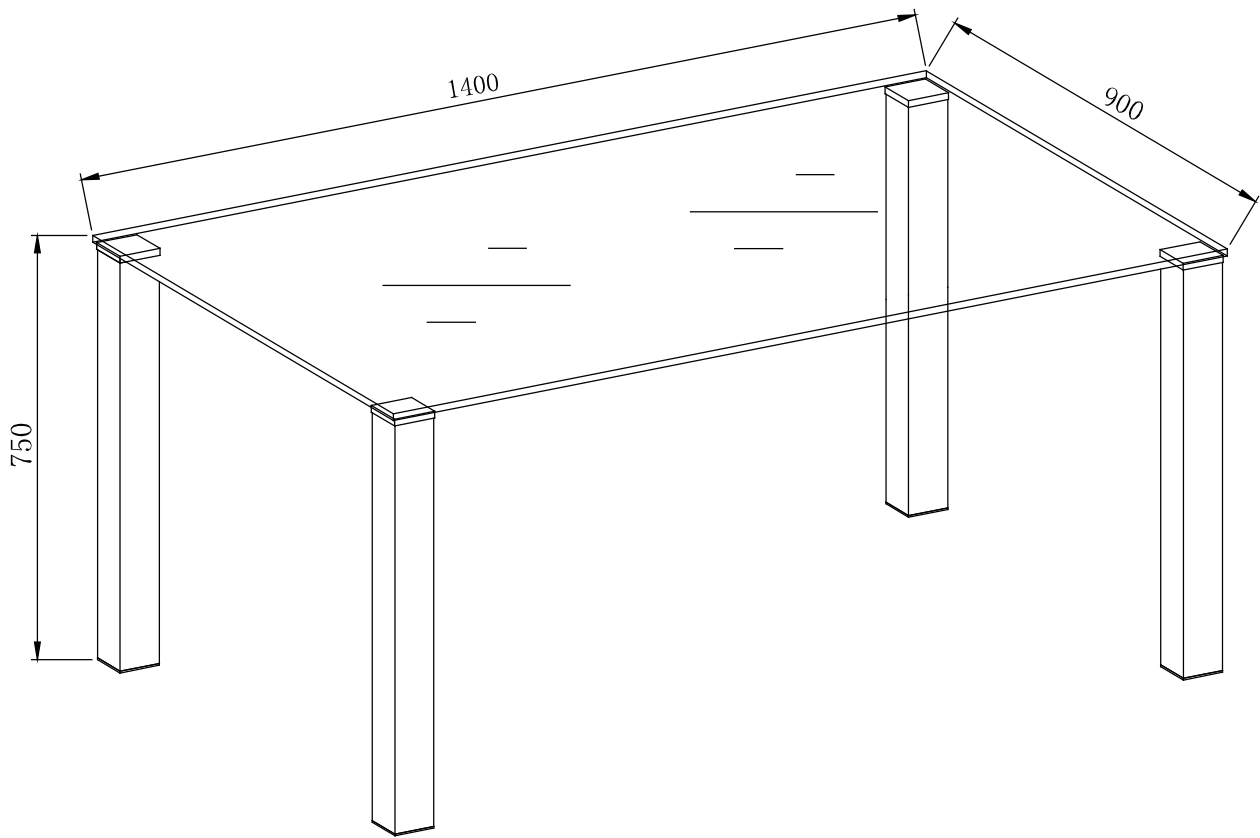
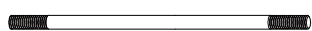
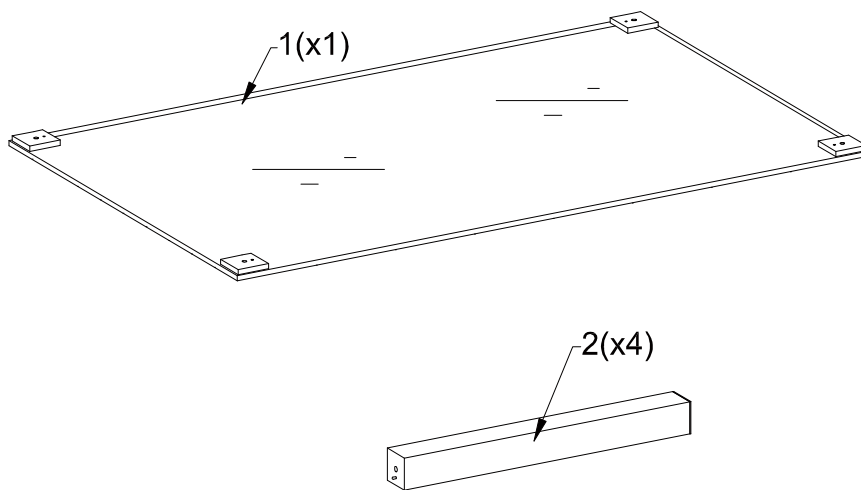
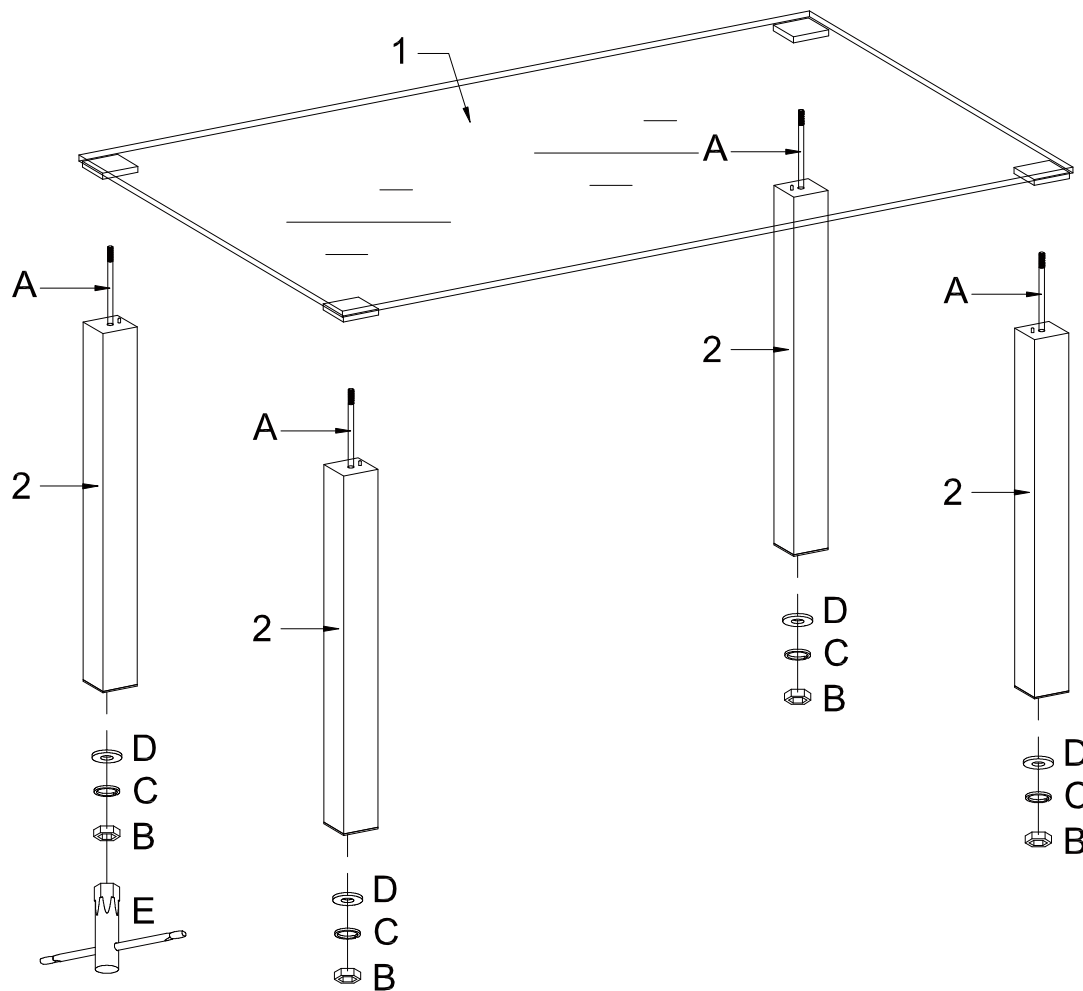


Kante





M10x725mm

A x 4pcs



M10

B x 4pcs



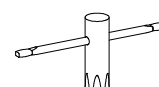
Ø16x2.0mm

C x 4pcs



Ø22x1.5mm

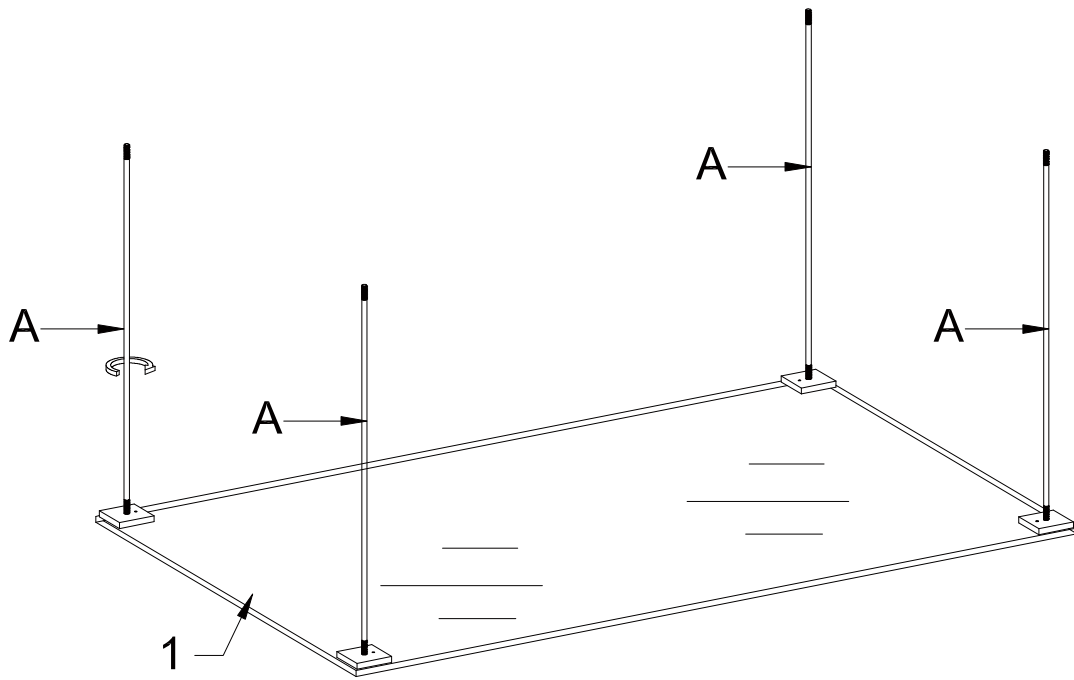
D x 4pcs



17#

E x 1pc

1



2

