

ASSEMBLY INSTRUCTIONS

Read this instruction carefully. Refer hardware and furniture parts list for guidance. Be sure all parts are complete, before assembling. Place all wooden furniture part on a clean and flat soft surface to prevent scratches. Refer steps provided as assembling guide.

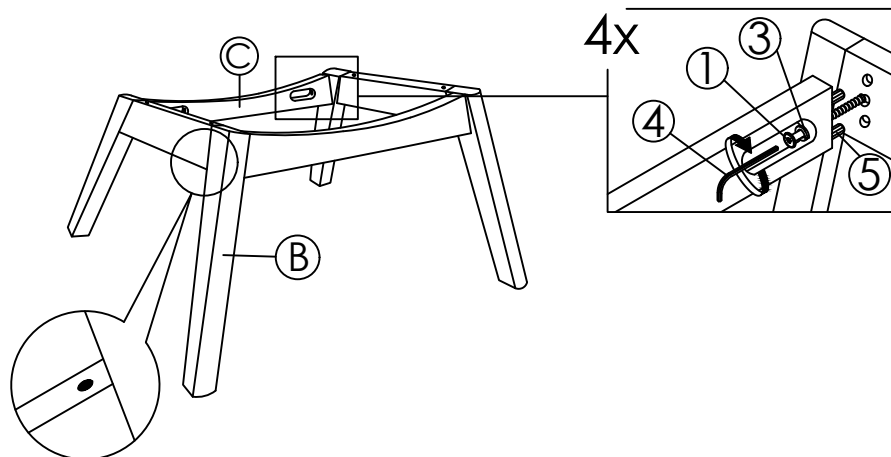
CAUTIONS :

1. Do not FULLY-TIGHTEN the nuts or nut bolts until all are in place.
2. To prevent thread damage. Ensure that nuts or nut bolts are not over-tighten.
3. Hardware are to be kept out of reach from children.

| PART LIST | | |
|-----------|---------------|-------|
| ITEM | DESCRIPTION | QTY |
| A | CUSHION SEAT | 1 PC |
| B | LEG (L & R) | 2 PCS |
| C | APRON | 2 PCS |

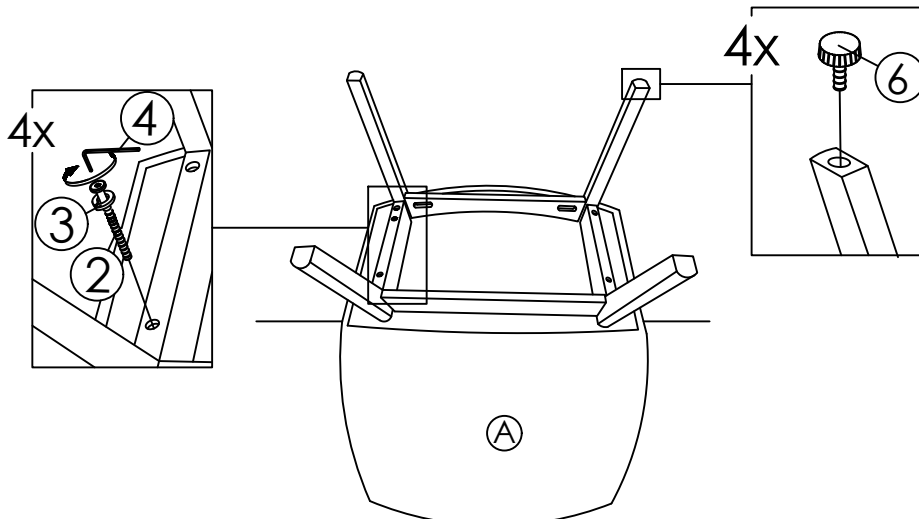
| HARDWARE LIST | | |
|---------------|--|-------|
| ITEM | DESCRIPTION | QTY |
| 1 | JCBC SCREW M6 x 50MM  | 4 PCS |
| 2 | JCBC SCREW M6 x 60MM  | 4 PCS |
| 3 | SPRING WASHER 1/4"  | 8 PCS |
| 4 | M4 ALLEN KEY (BALL SHAPE) LONG  | 1 PC |
| 5 | WOOD DOWEL DIA 8 x 35MM  | 8 PCS |
| 6 | AJUSTABLE SCREW C89  | 4 PCS |

STEP 1

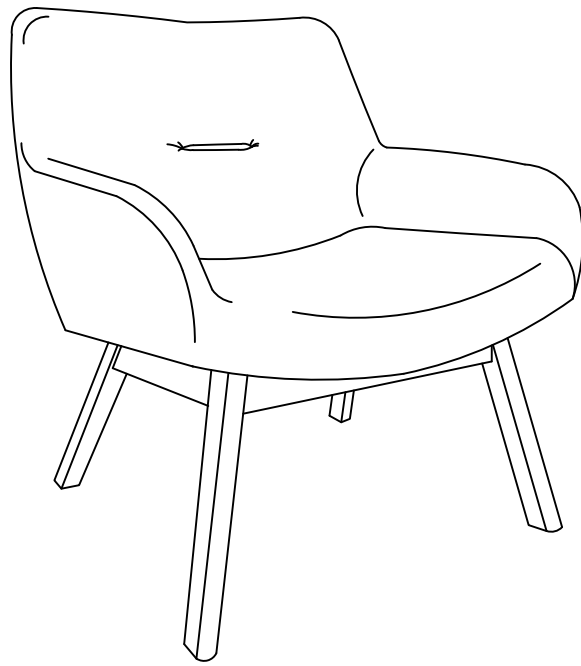


REMARK: HOLE MARKING AT RIGHT FRONT LEG

STEP 2



STEP 3



COMPLETED CHAIR ASSEMBLY