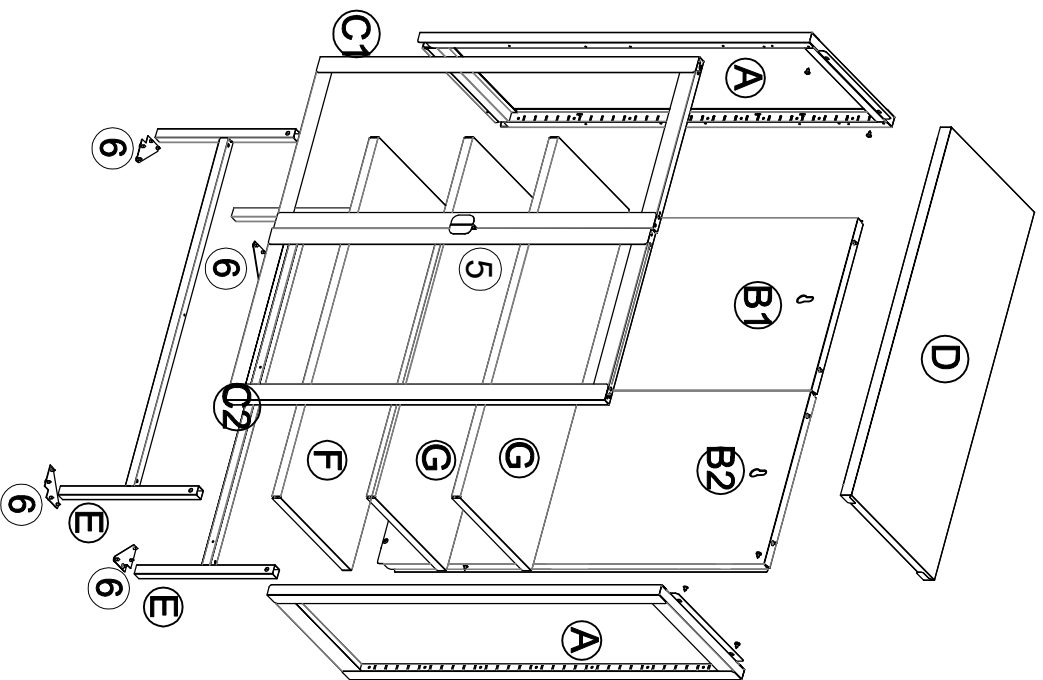
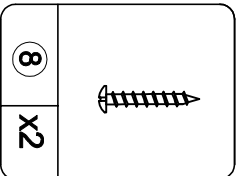
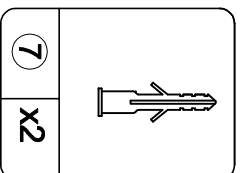
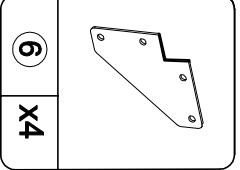
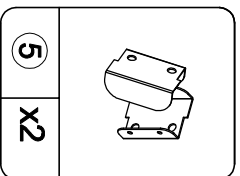
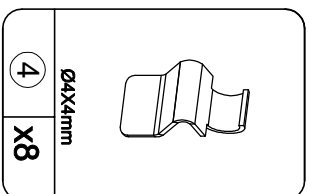
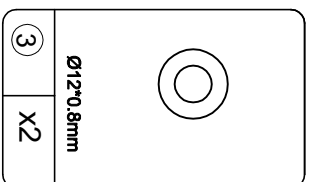
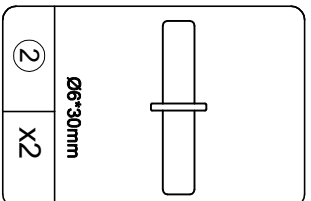
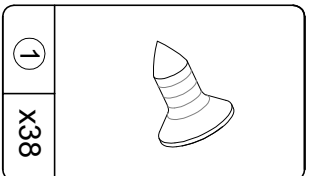
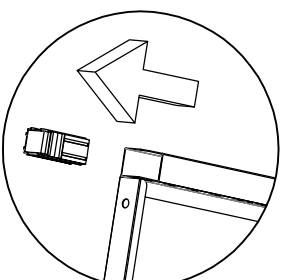


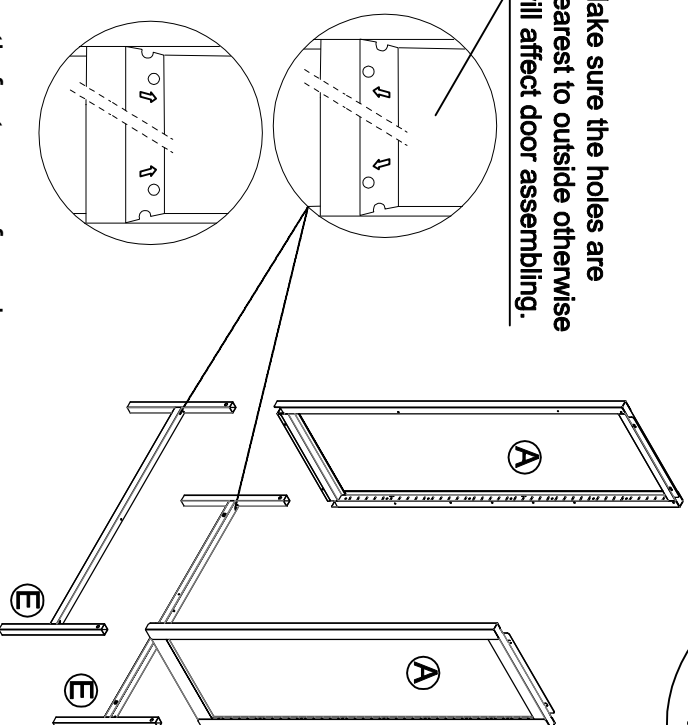
**3001045**  
 Brisbane Steel Cabinet  
 w. Glass Door Black



(1) - Attach (A) to (E) as below shown.

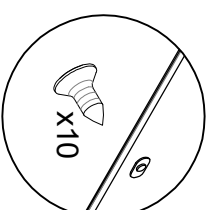
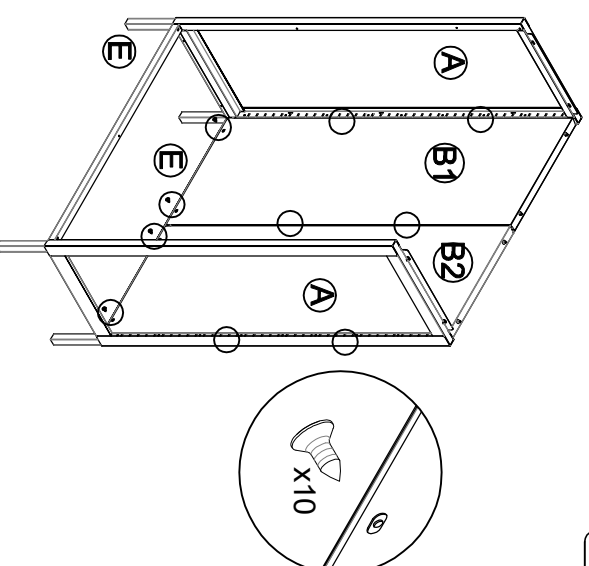
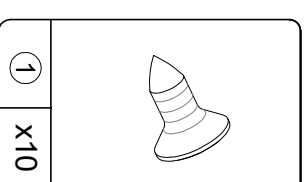


Make sure the holes are nearest to outside otherwise will affect door assembling.

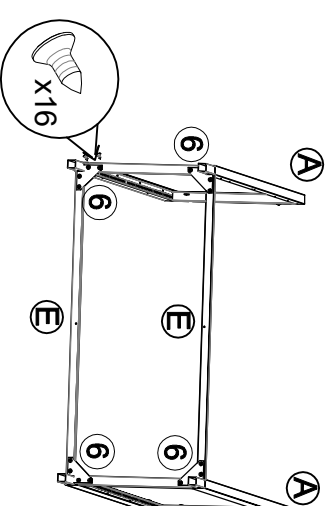
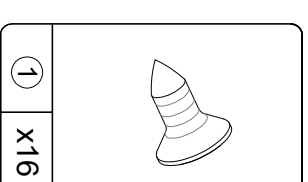


The plastic foot cover face down

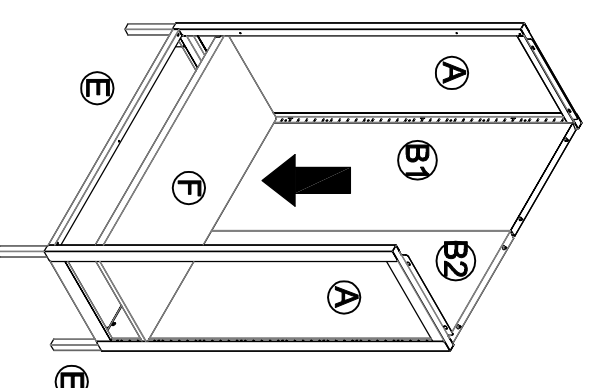
(3) - Attach (B) to (A) & (E) as below shown.



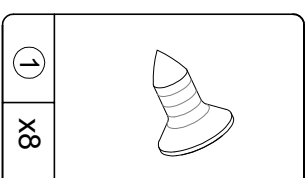
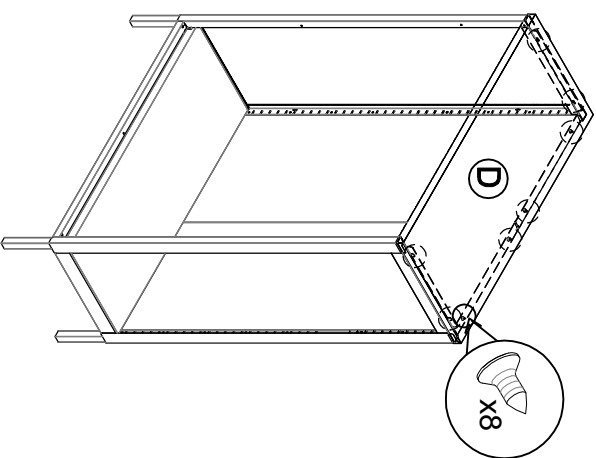
(2) - Attach 6 to (E) as below shown.



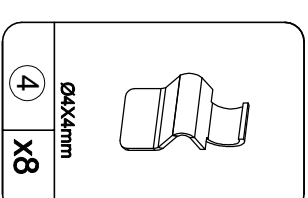
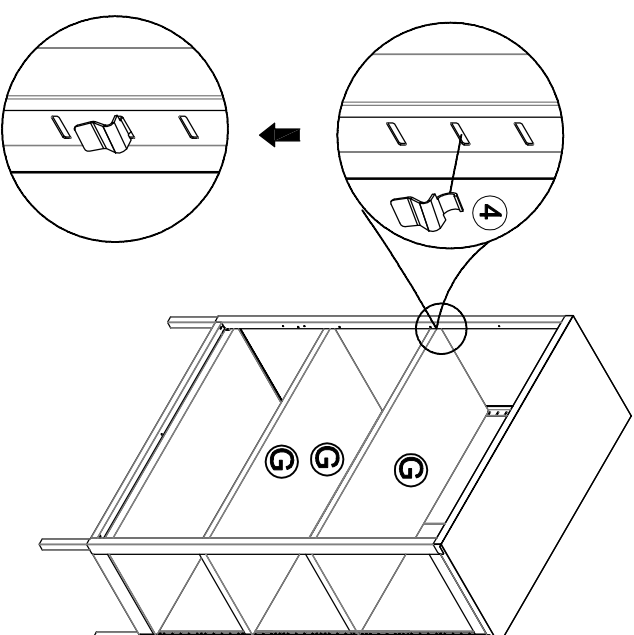
(4) - Attach (F) to (A) & (B) & (E) as below shown.



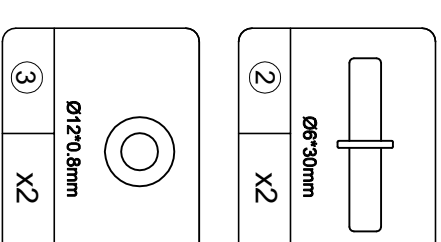
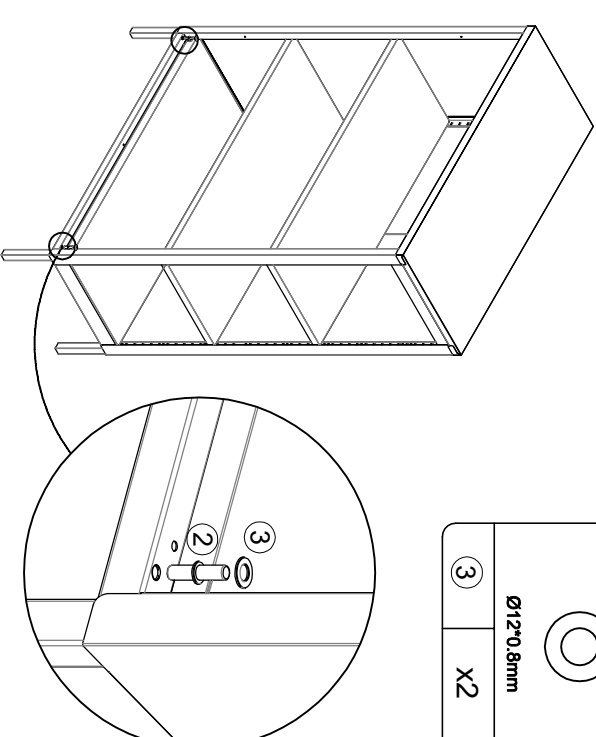
(5) - Attach (D) to (A) as below shown.



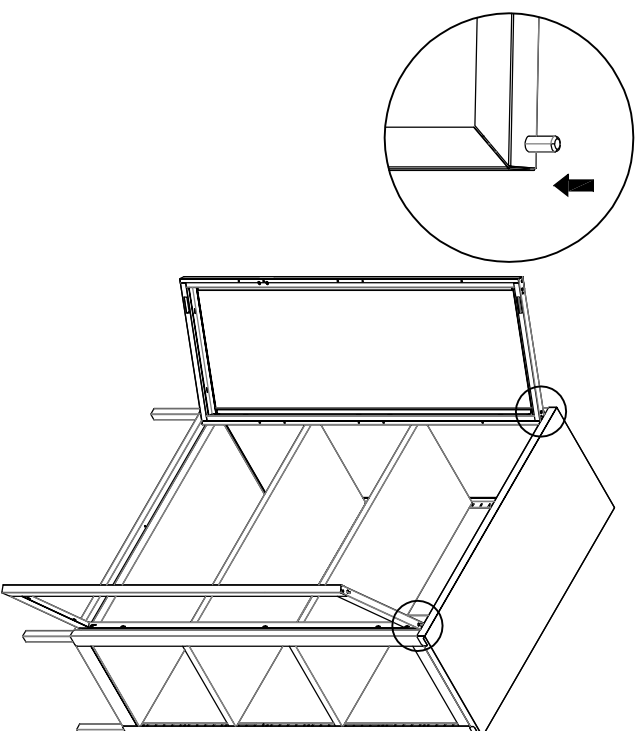
(6) - Attach (G) to pre-assembled unit as below shown.



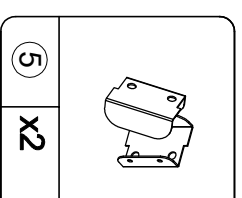
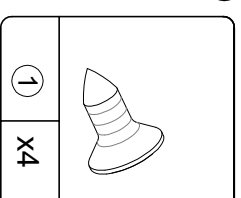
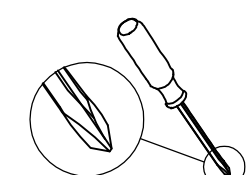
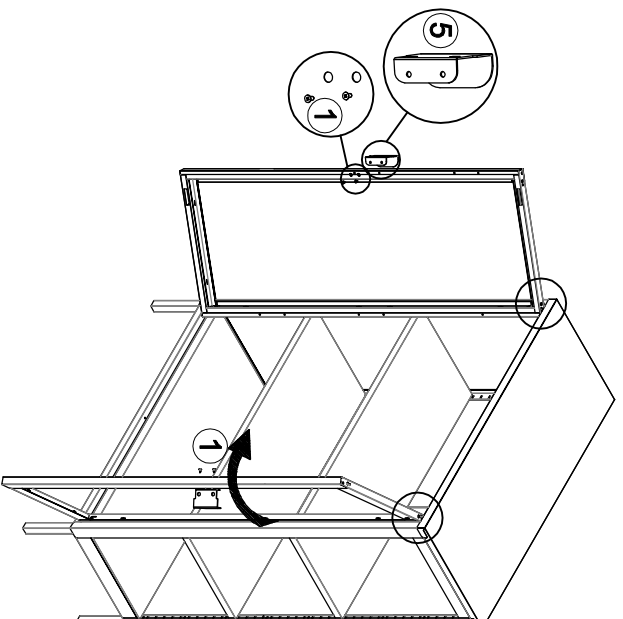
(7) - Attach (2) & (3) to pre-assembled unit as below shown.



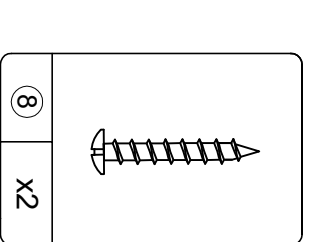
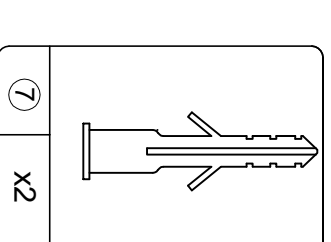
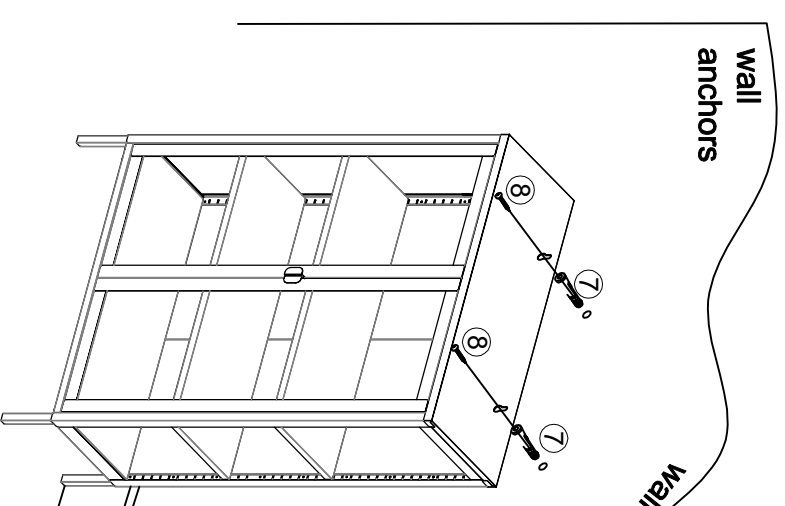
(8) - Attach (C) to pre-assembled unit as below shown.



(9) - Attach (5) to (C) as below shown.



(10)



Gaps may appear between the top of the doors and the frame if the item is not on level ground; use the plastic foot cover to level.