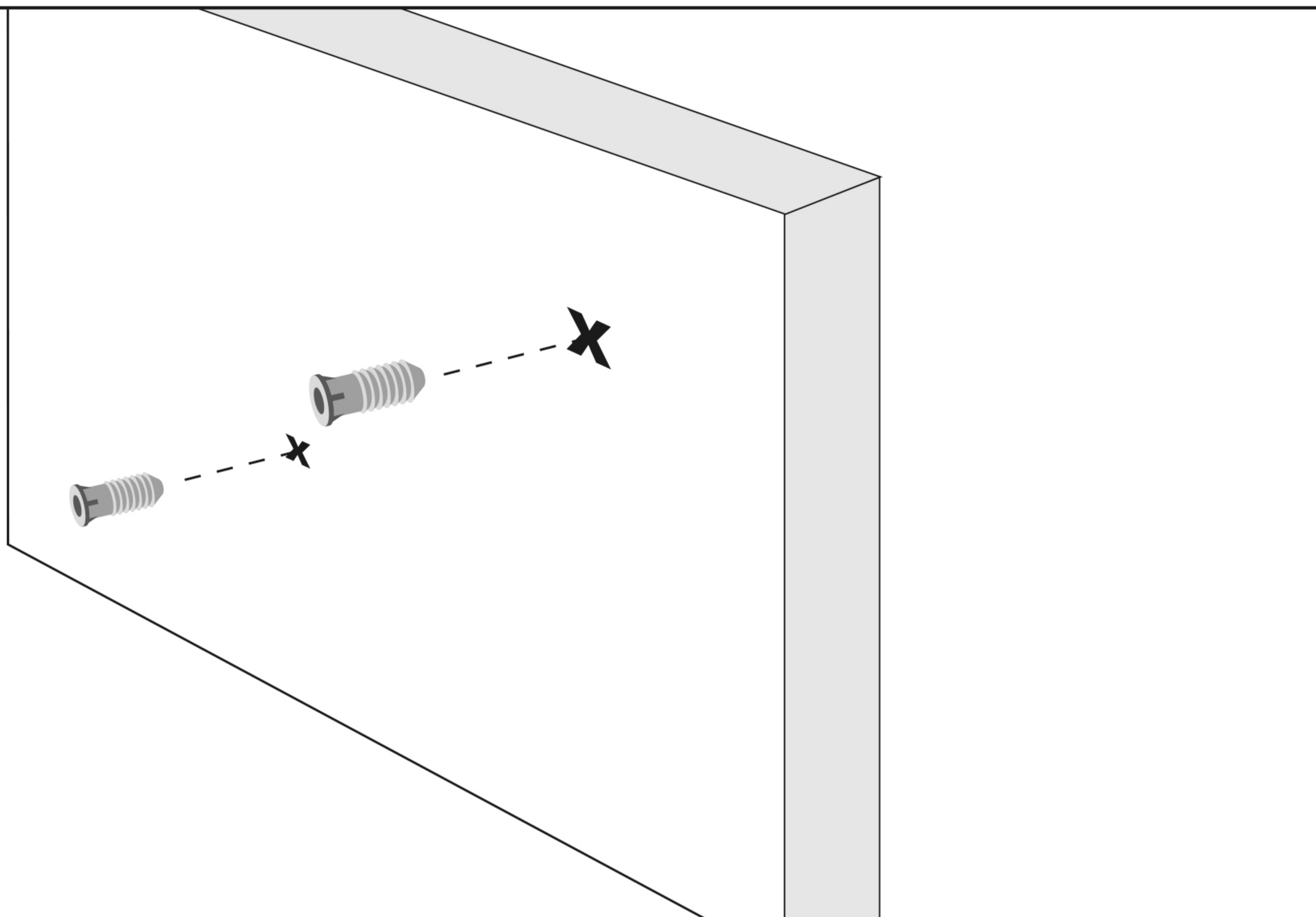


# Rotterdam Shelf

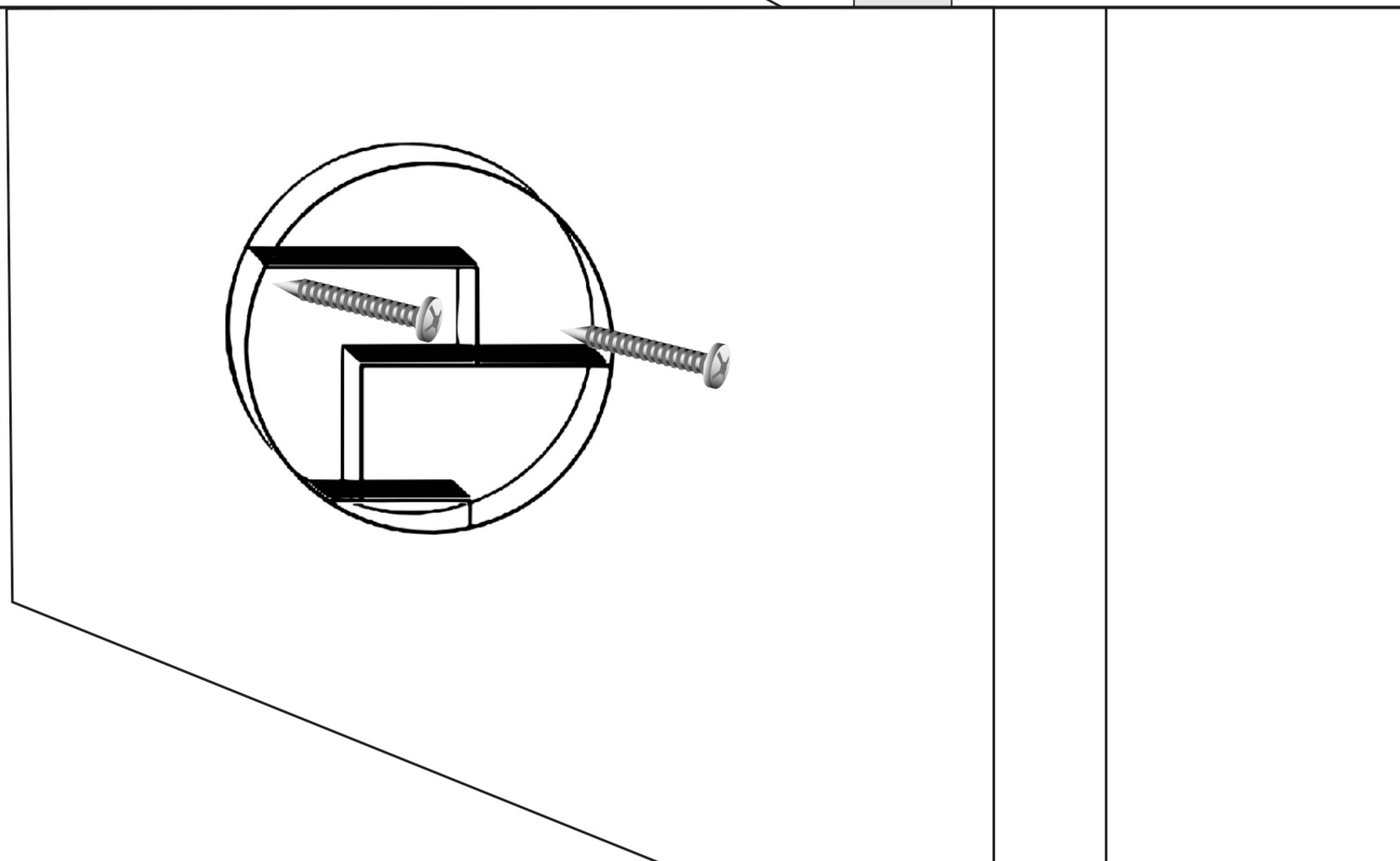
4291040



STEP - 1



STEP - 2



### PART LIST

| PART NO. | PART PHOTOGRAPH | PART NAME | QUANTITY |
|----------|-----------------|-----------|----------|
| <b>a</b> |                 |           | <b>1</b> |
|          |                 |           |          |
|          |                 |           |          |

### ASSEMBLING TOOLS

|   |  |  |  |
|---|--|--|--|
| 1 |  |  |  |
| 2 |  |  |  |
| 3 |  |  |  |

Choosing screws and plugs are customers own responsibility.