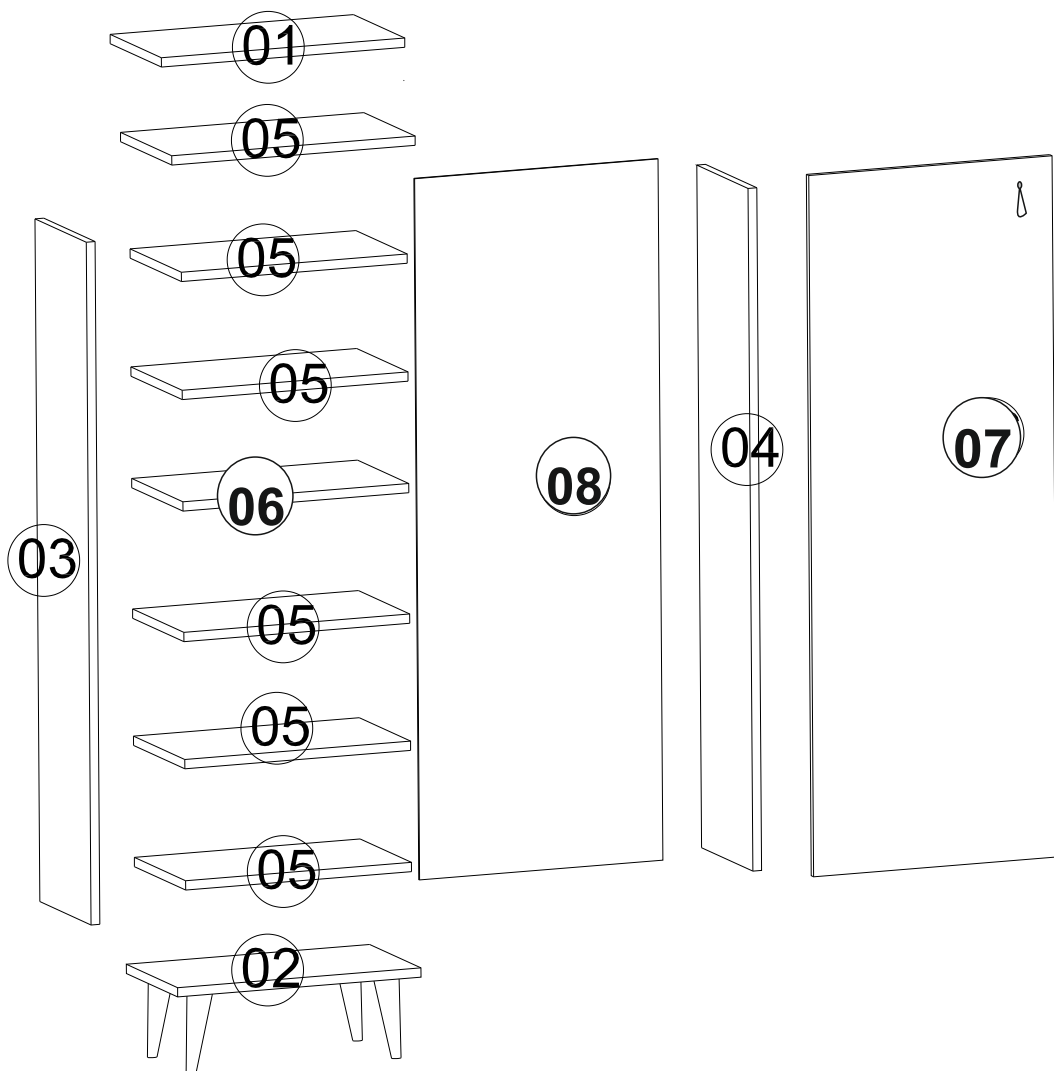


MULTI-PURPOSE CABINET ASSEMBLY

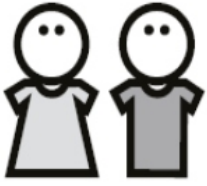
We're here to help - Do not return this product !

Call, email or find us online first !

- If you need help with assembly
- If you received a damaged or defective part
- If you are missing hardware



Read these assembly instructions carefully before beginning. Verify that you have in hands all the wood parts and hardware. Keep this document for future reference.



Two people are required to assemble and move this unit.



Safety First! Do not allow children to climb on or play with furniture.

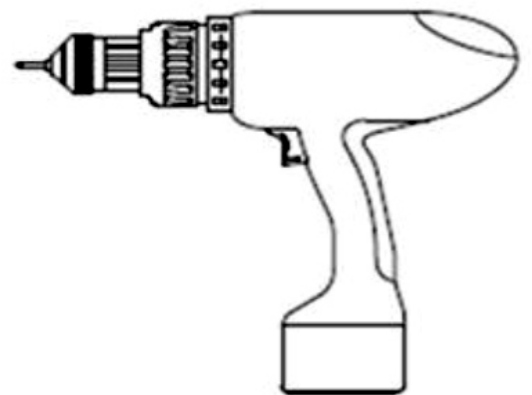
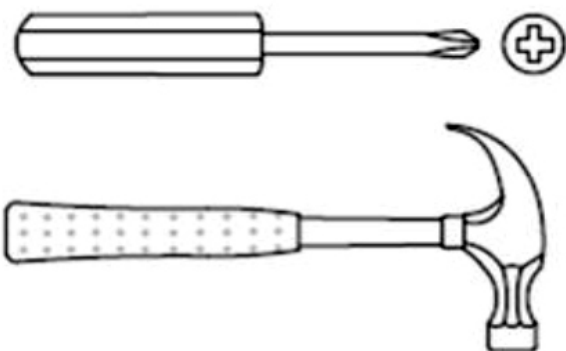
www.dow
Windows


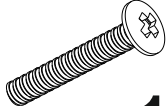



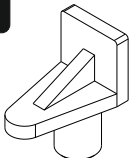



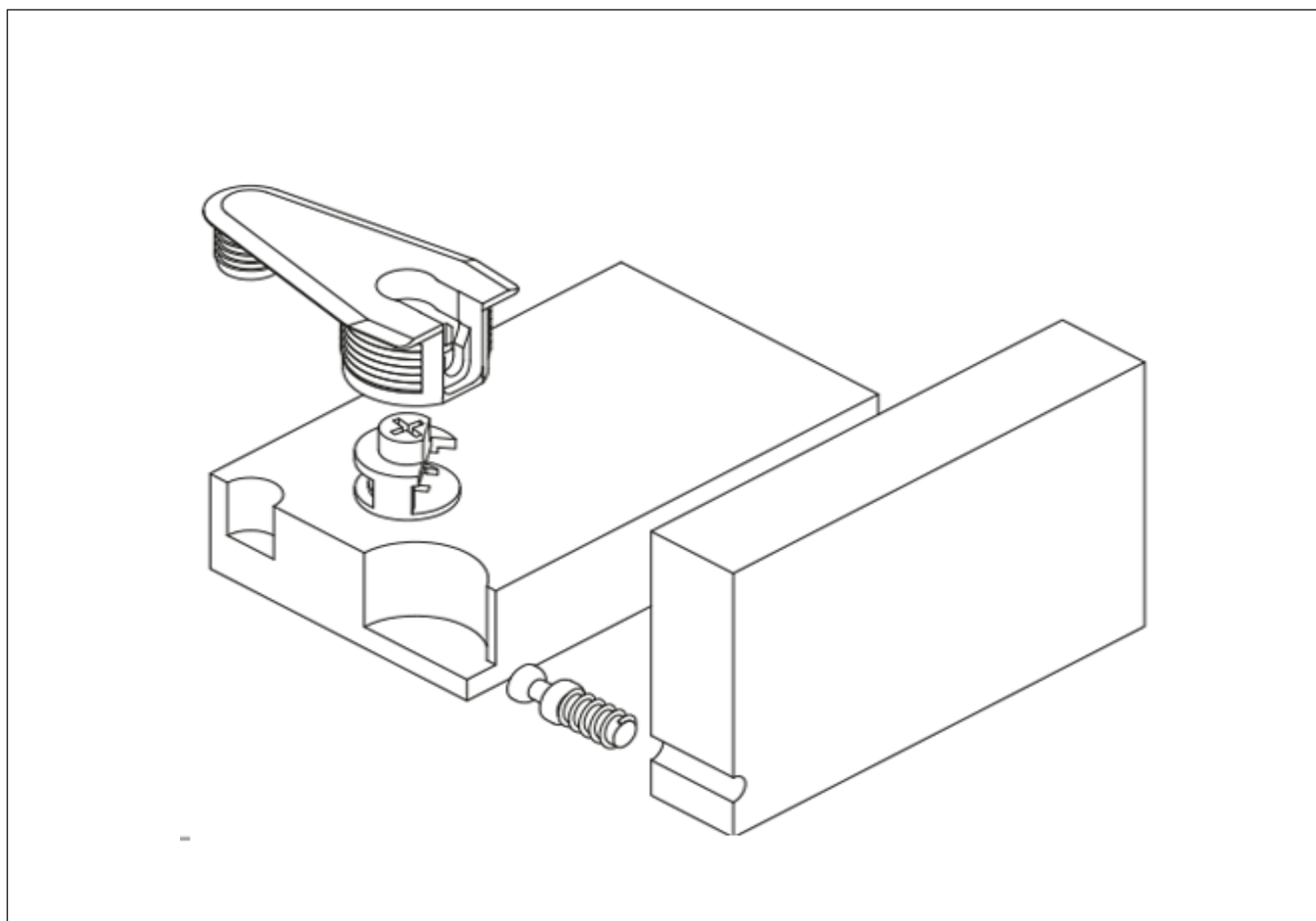
Never leave liquids or damp clothes on your furniture. Never use chemical product to clean your furniture. Do not place your furniture in direct sunlight.

To clean your furniture, dampen a soft cloth with a mild solution of dishwashing liquid. Squeeze excess water. Clean unit and wipe it dry.

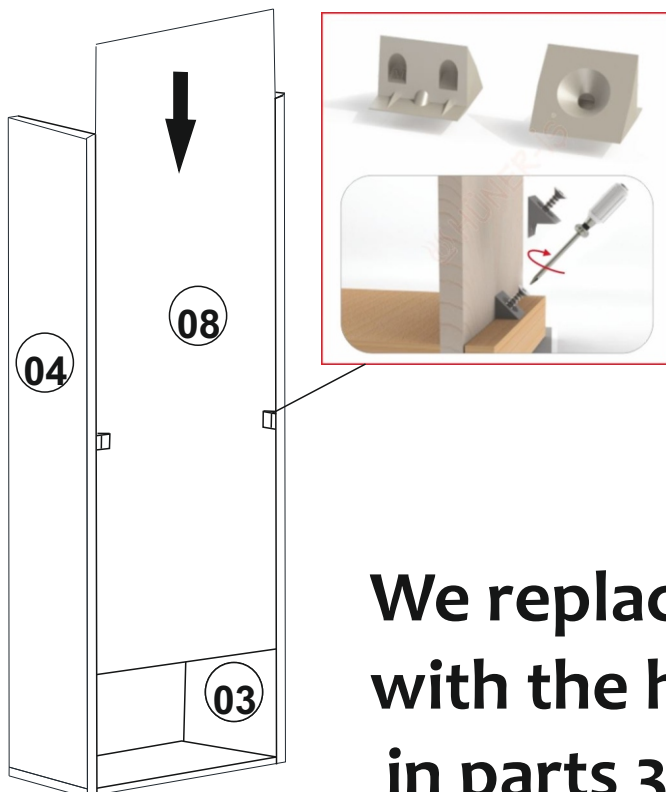
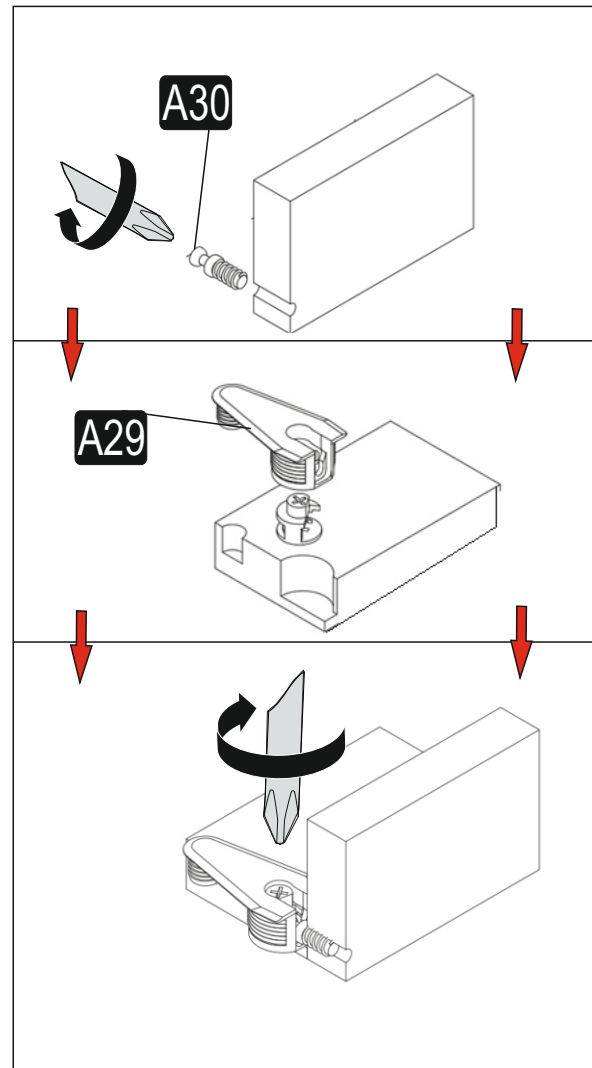
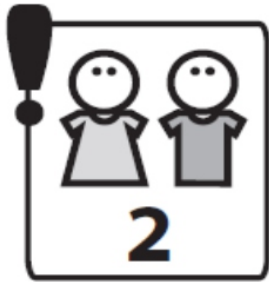
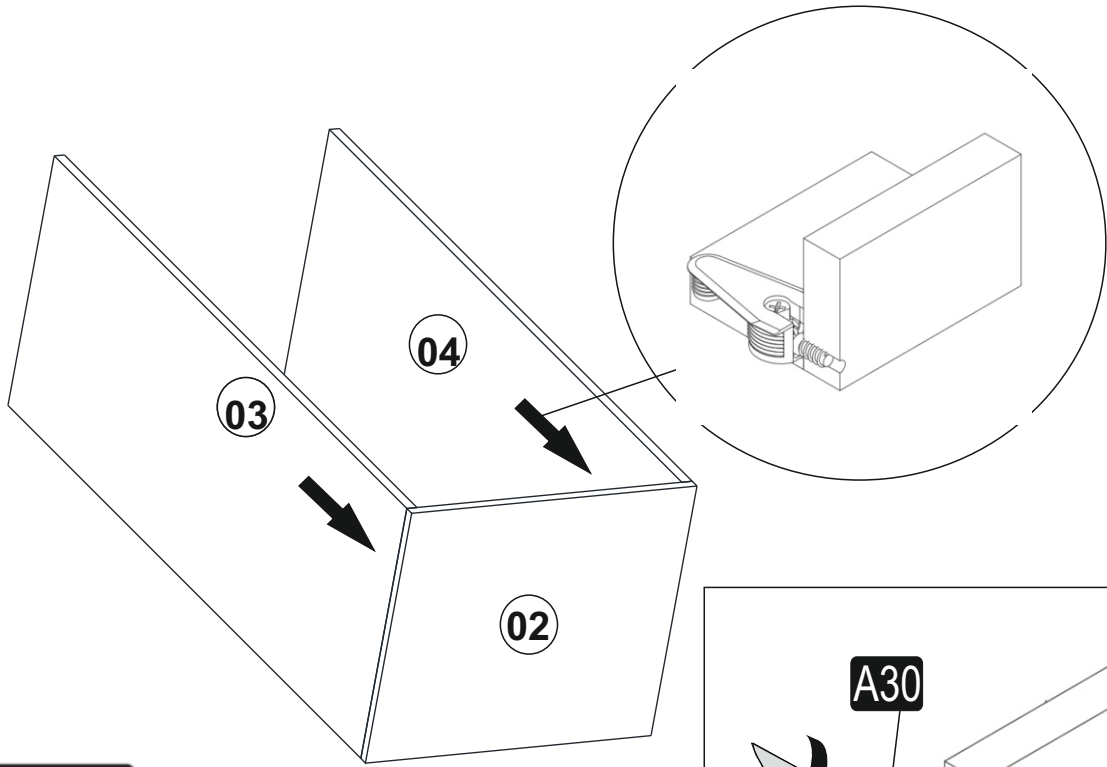
Tools required



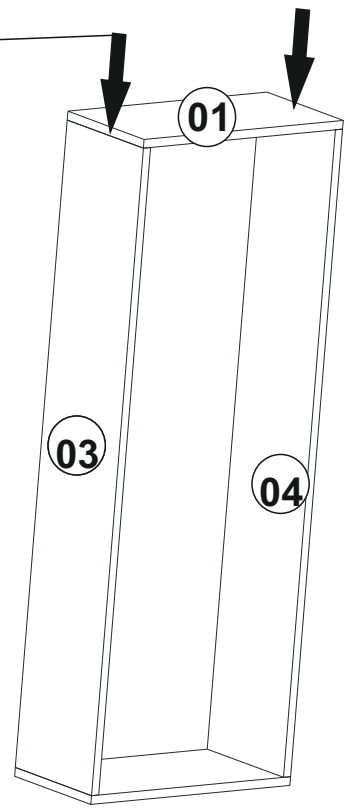
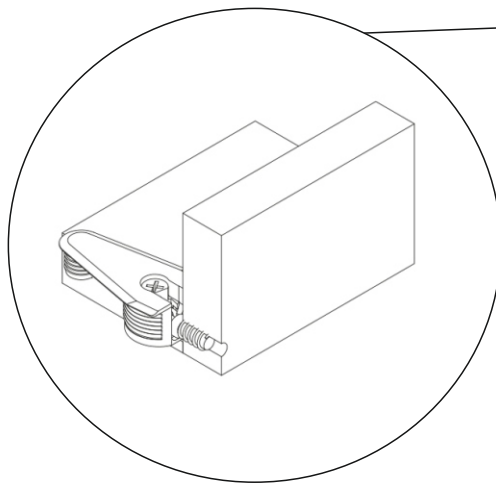
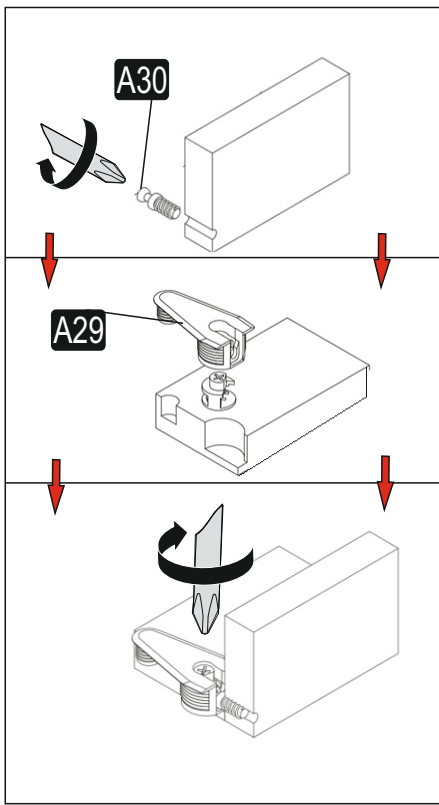
A01 3,5 x 18  26x	A11  1x	A29  12x	A30  12x
A10  1x	A10  24x	A35  2x	



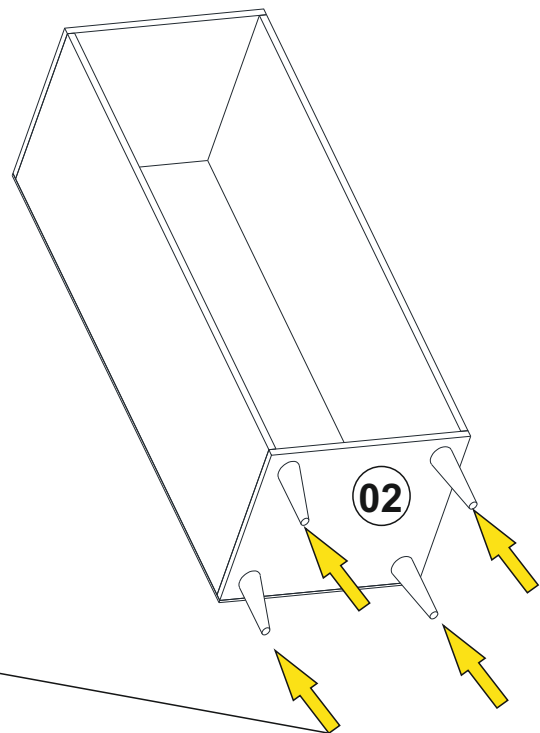
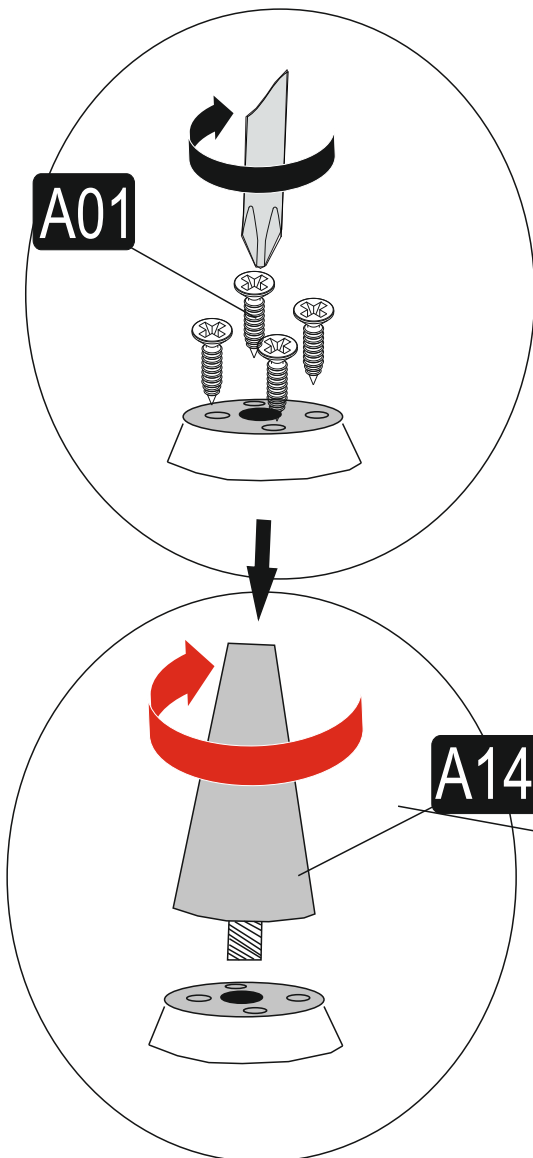
We attach parts 3 and 4 to part 2



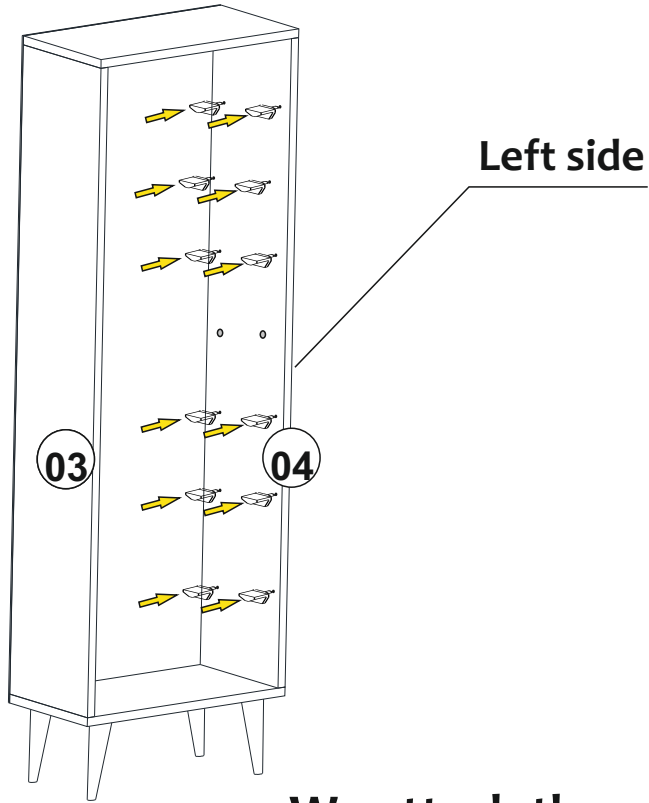
We replace the back panel with the help of the channels in parts 3 and 4



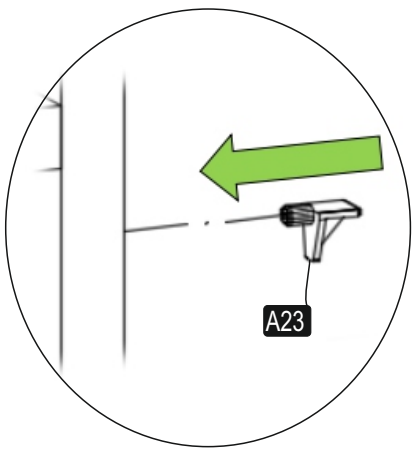
We attach part 1 to parts 3 and 4



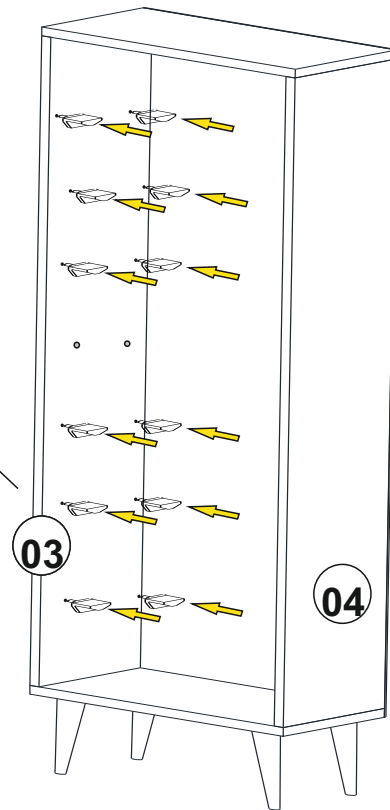
We attach the feet to part number 2



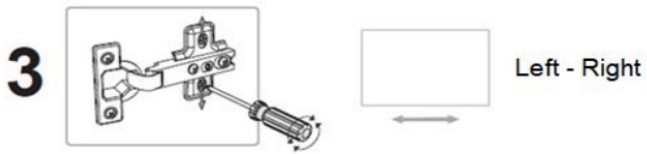
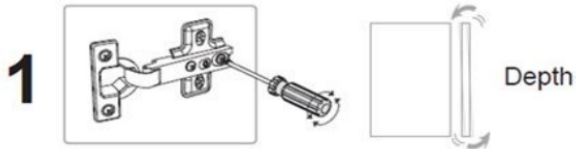
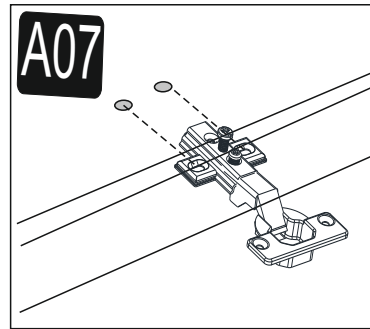
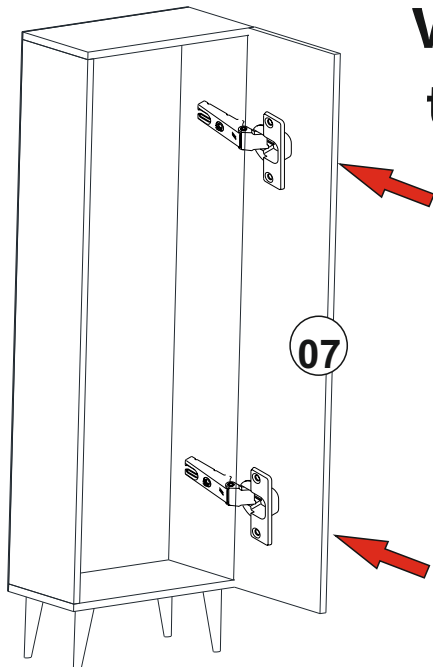
We attach the rack pins to parts 3 and 4



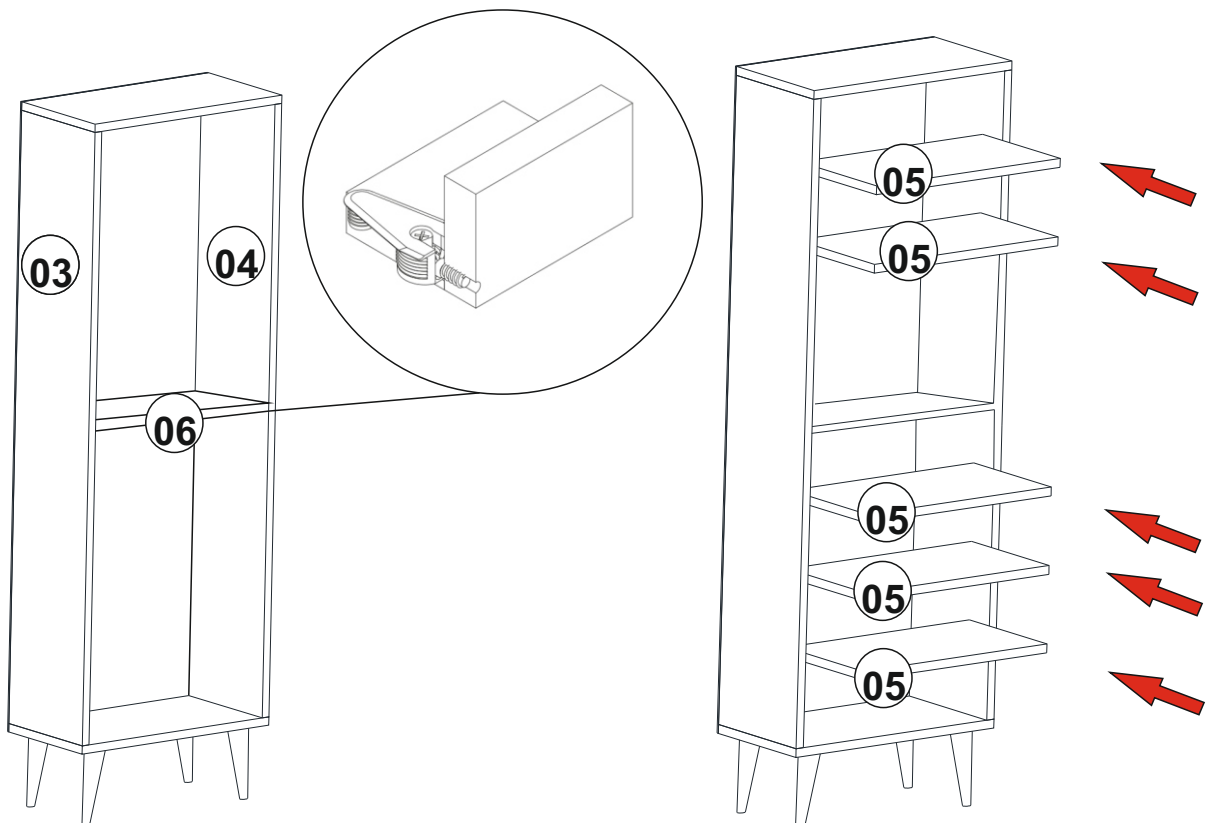
Right side



We replace the part number 7 with the help of the hinge.



Put the shelves in place



We connect part 6 to parts 3 and 4

