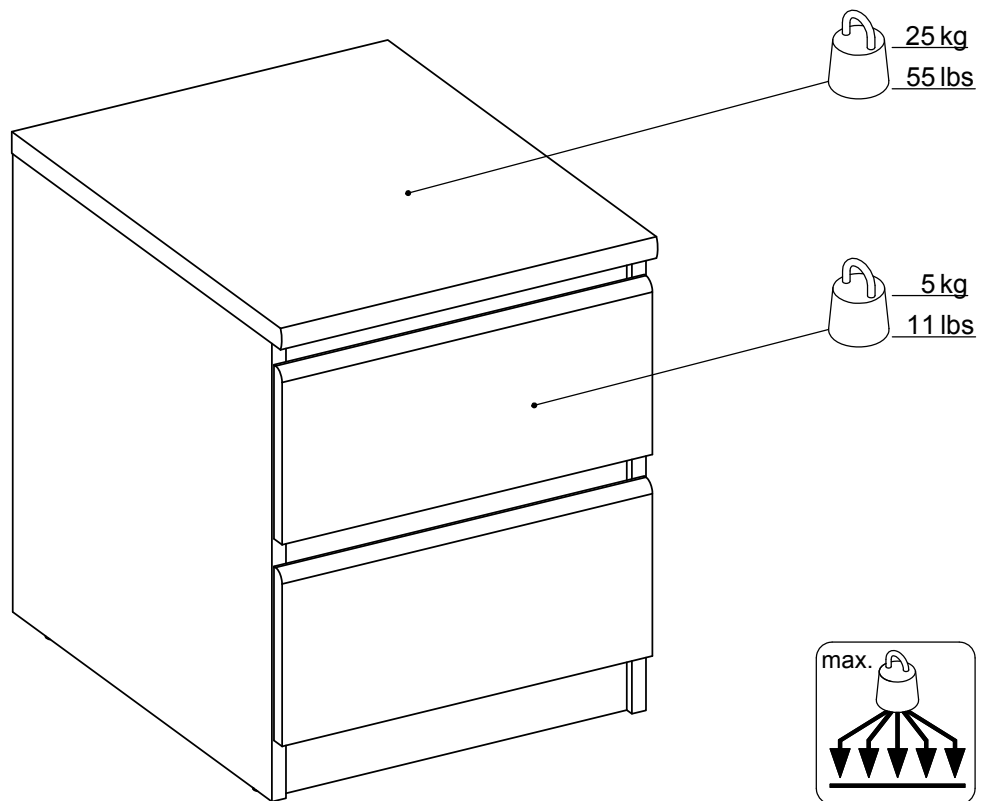
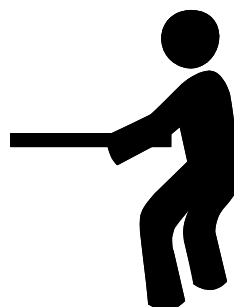


tvilum

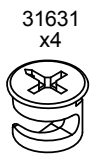
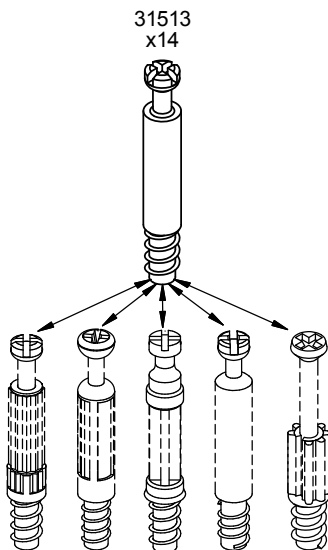
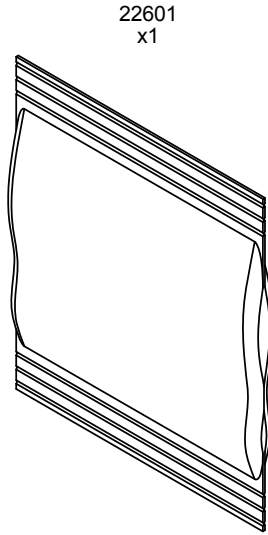
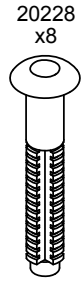
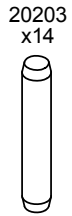
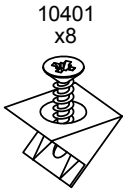
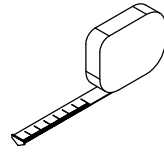
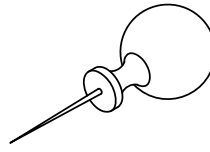
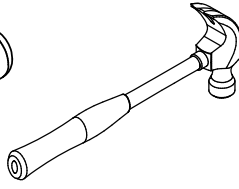
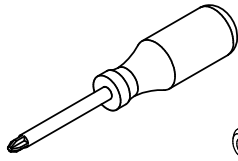


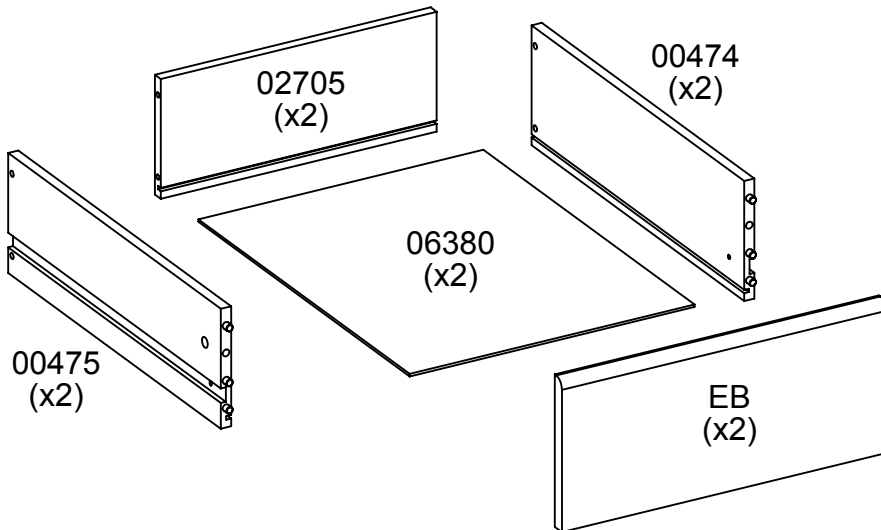
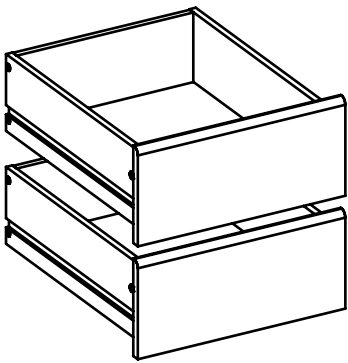
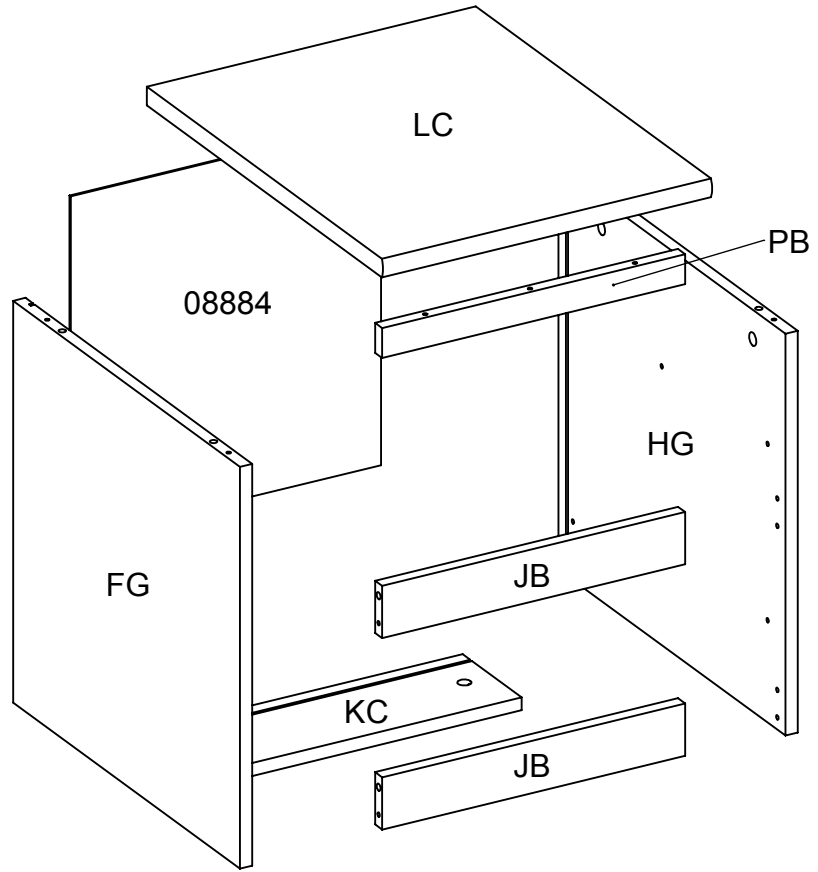
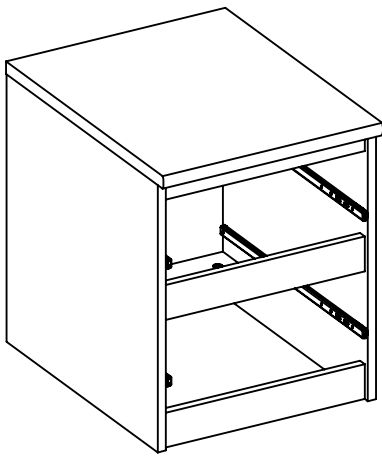
70291 B

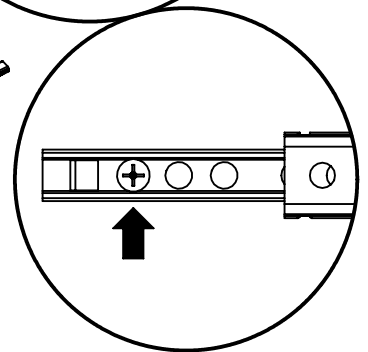
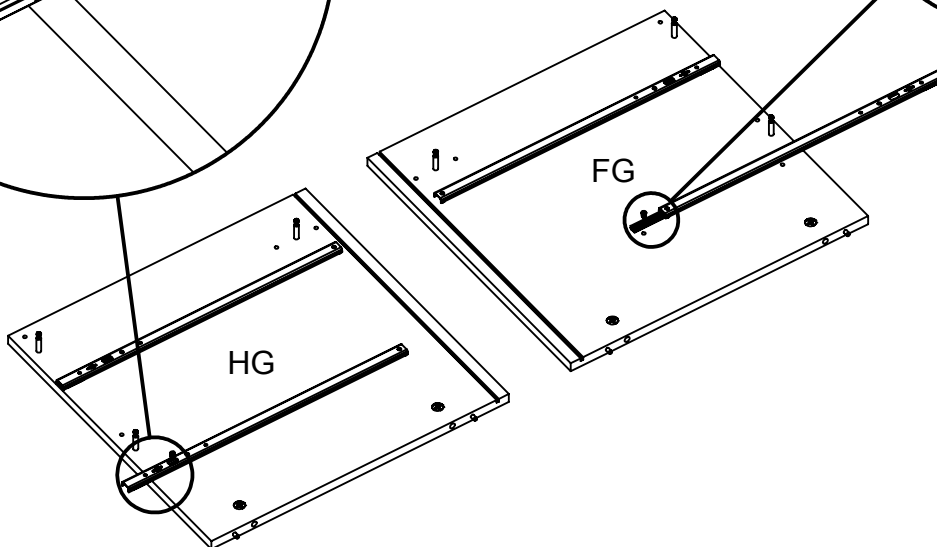
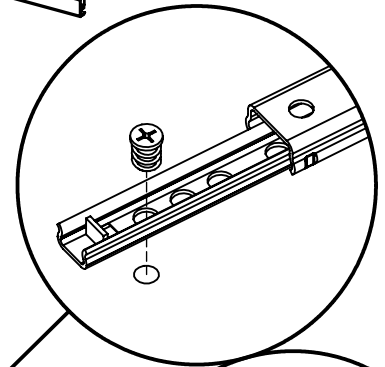
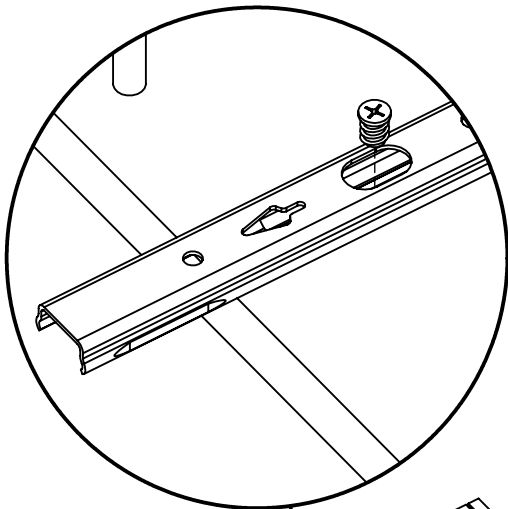
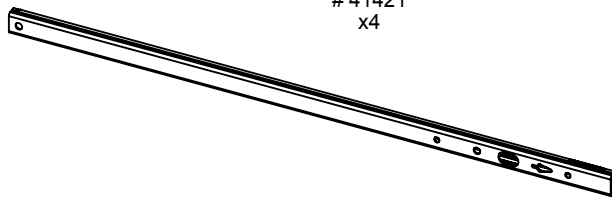
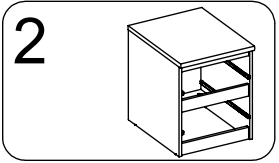
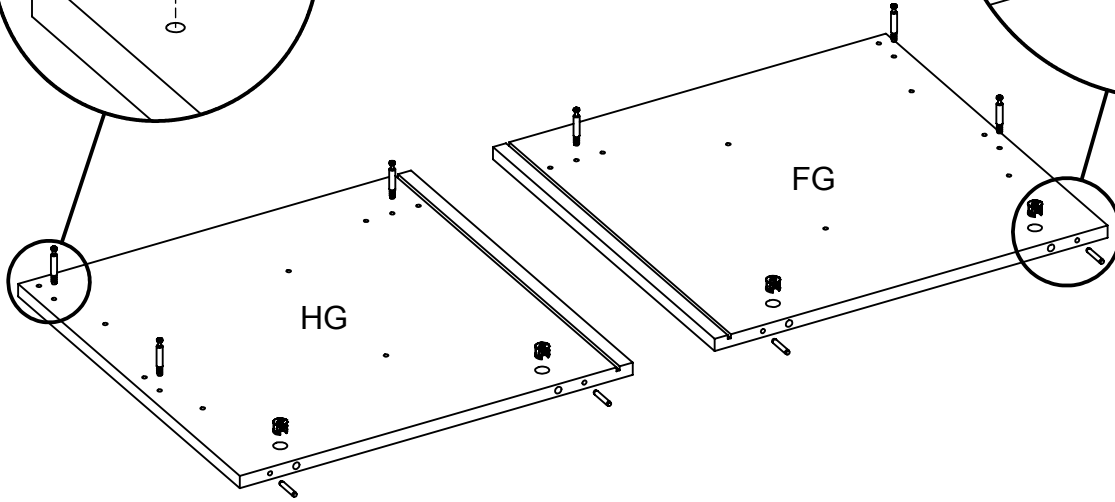
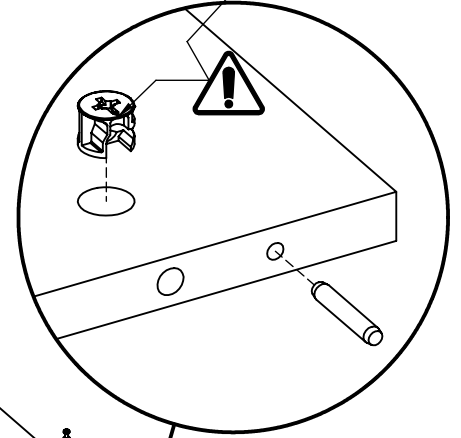
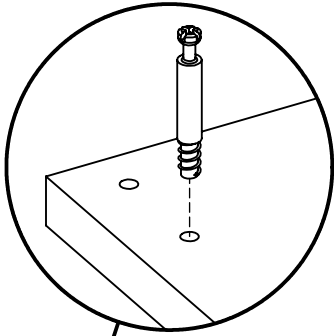
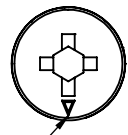
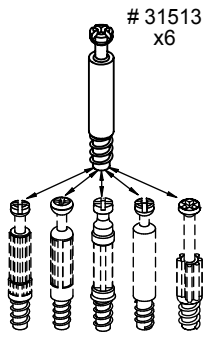
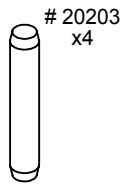
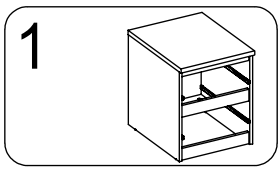
www.tvilum.com

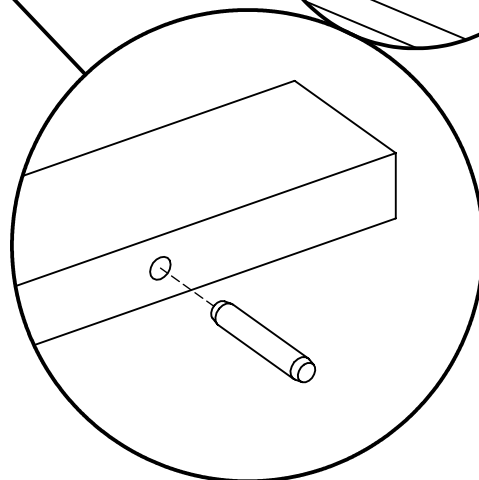
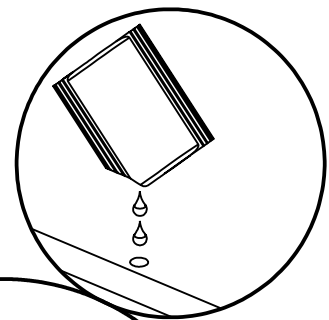
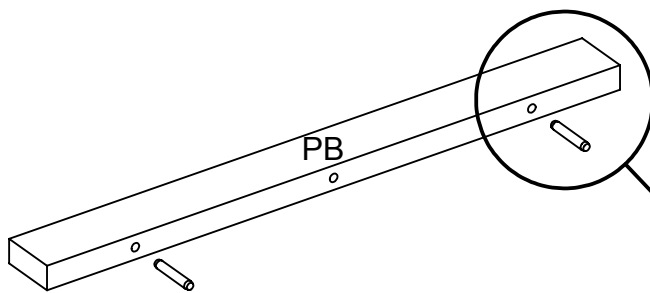
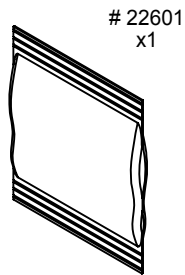
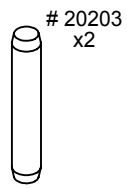
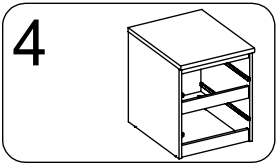
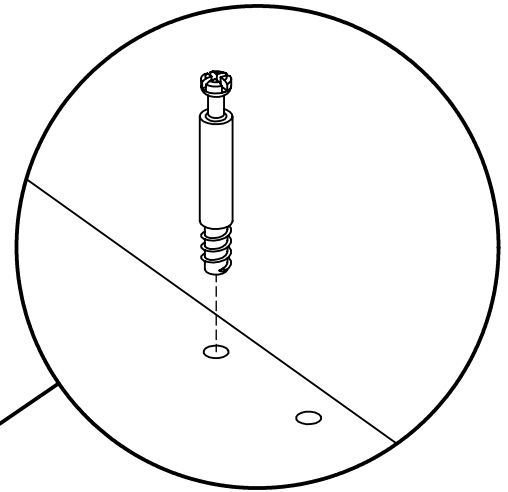
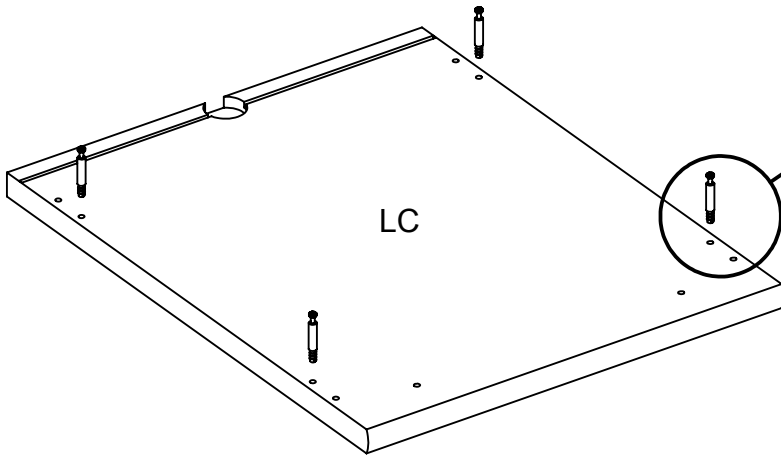
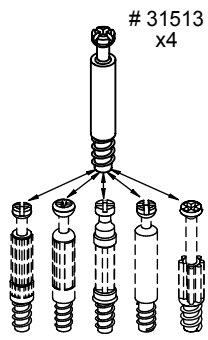
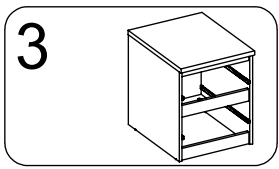


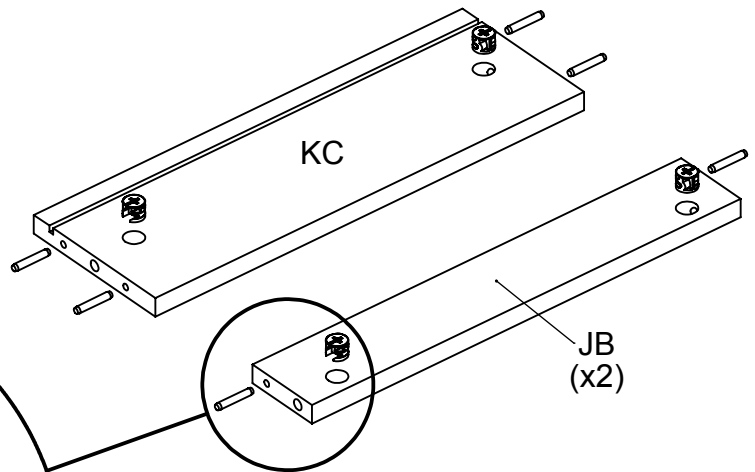
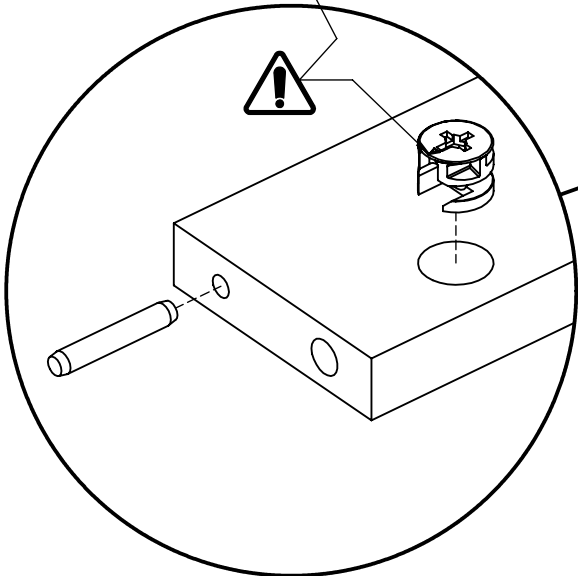
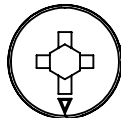
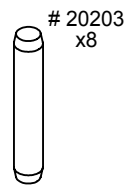
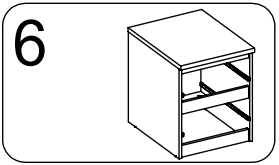
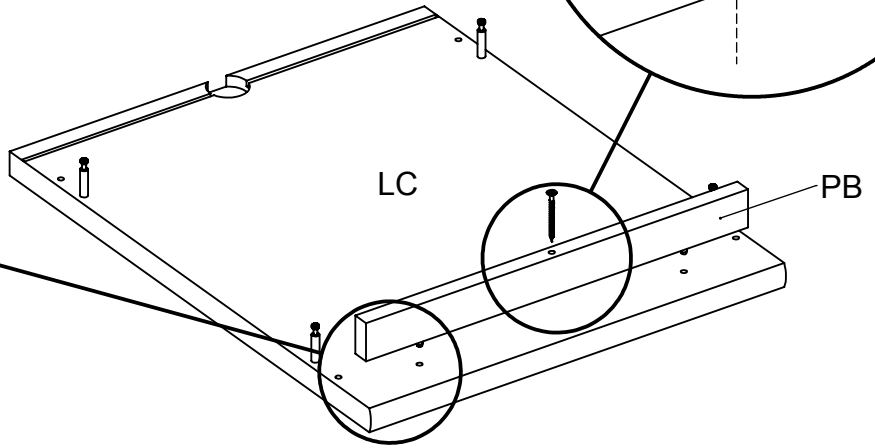
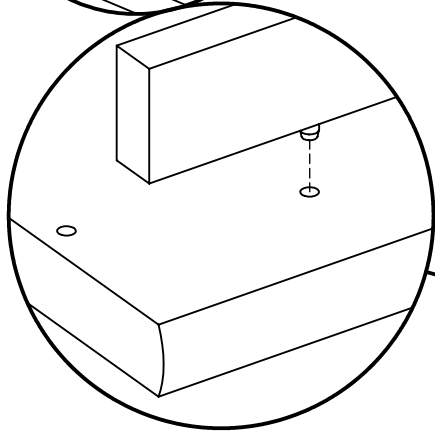
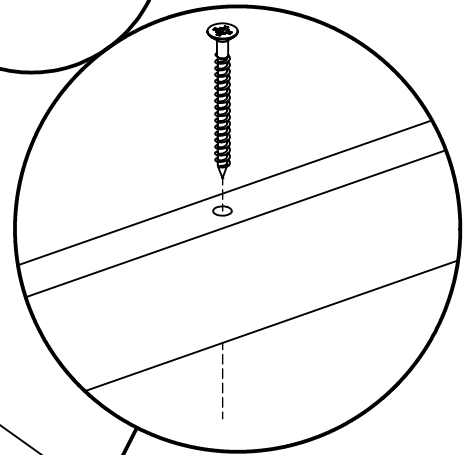
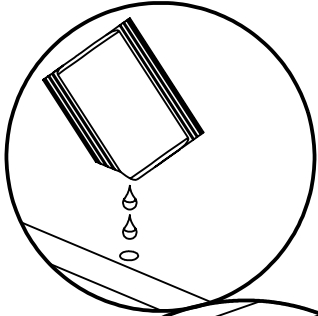
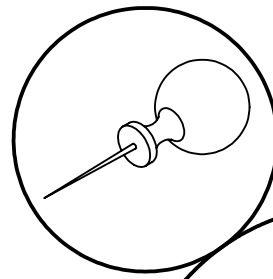
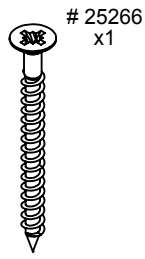
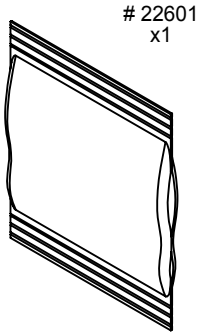
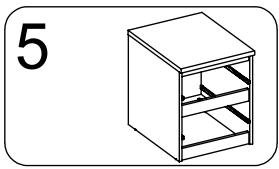
Scan for assembly video

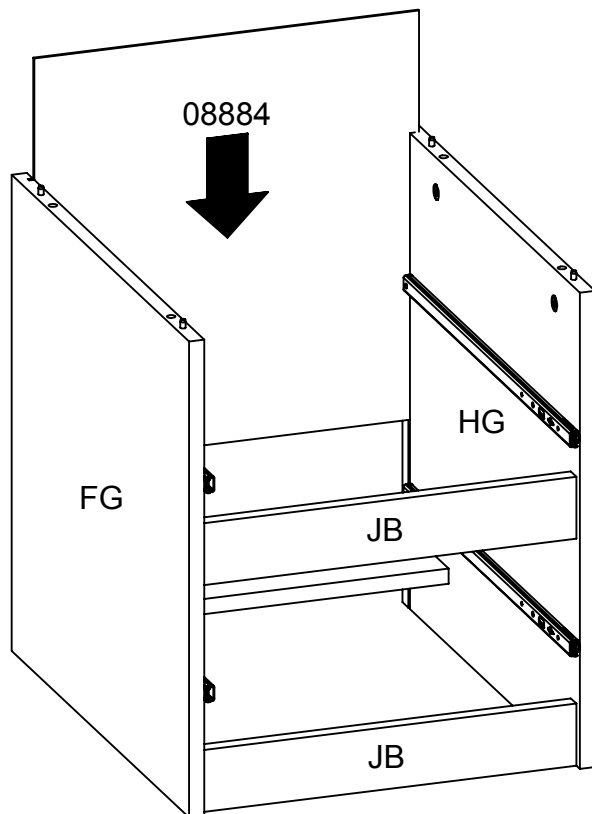
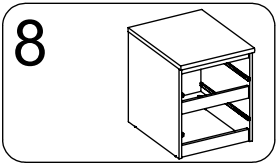
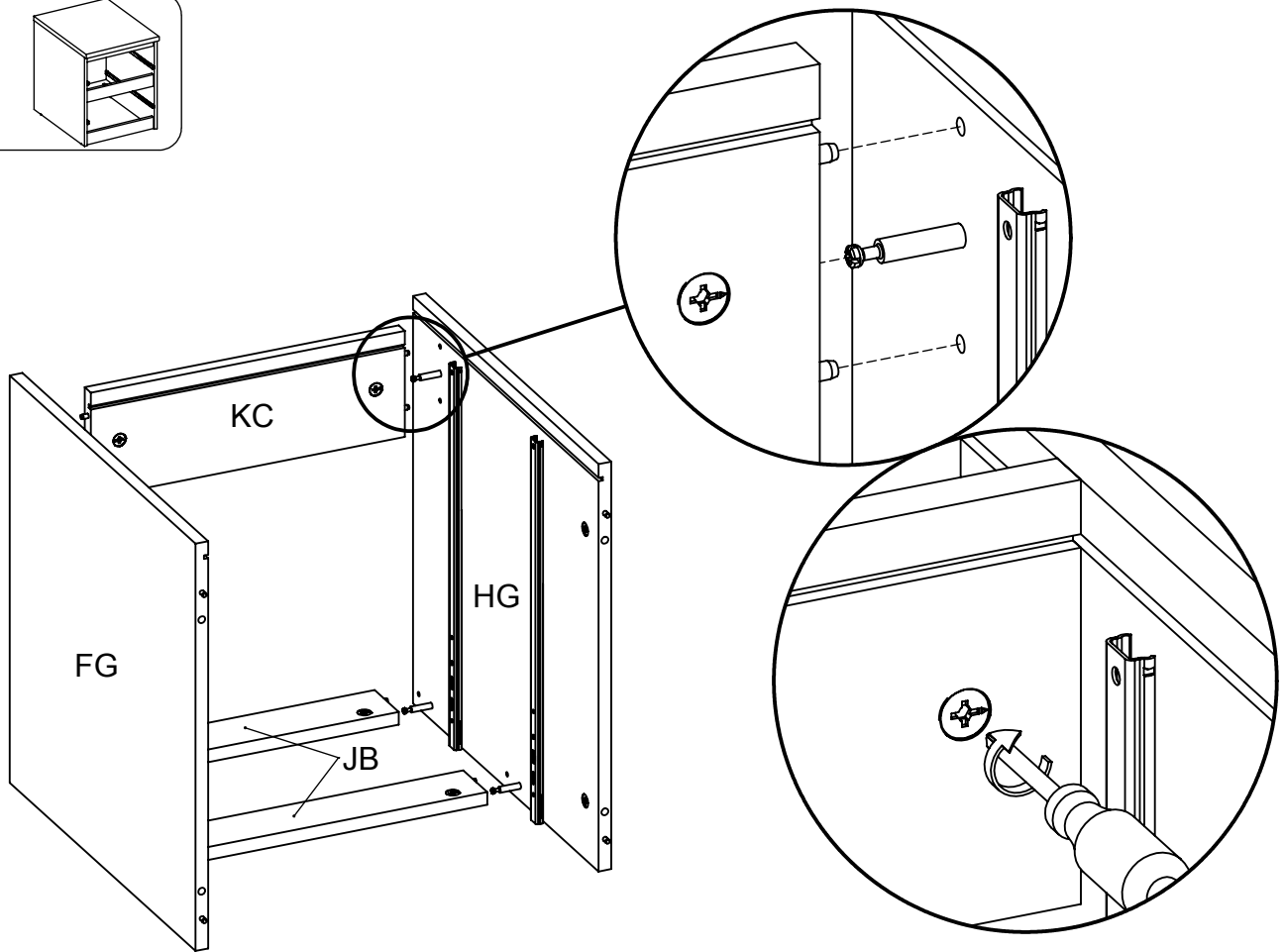
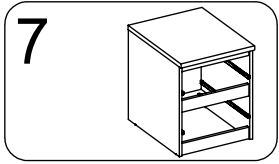


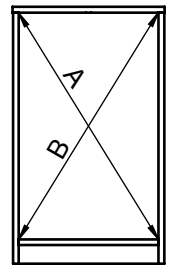
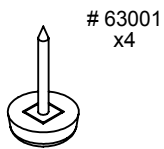
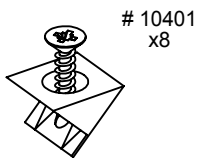
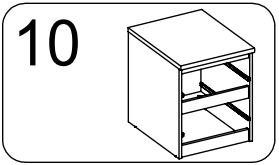
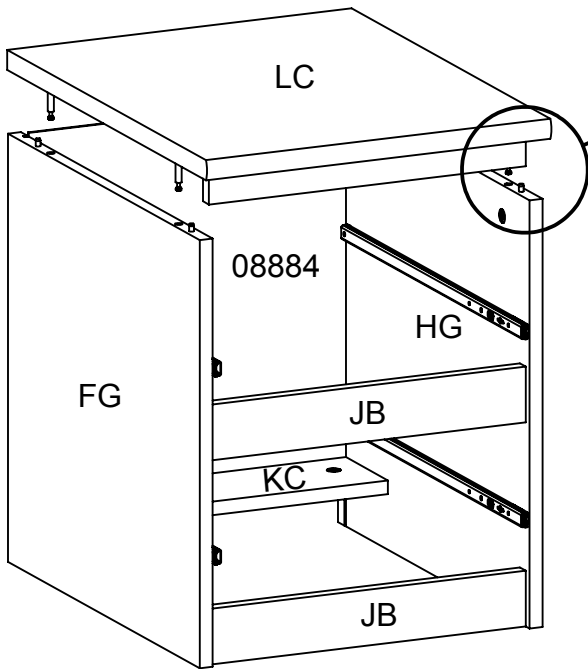
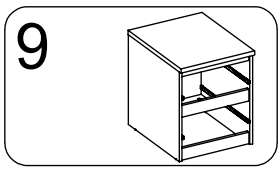




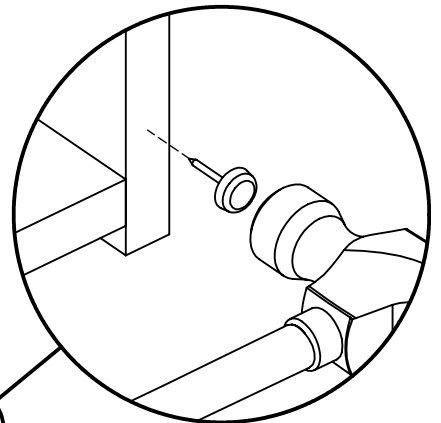
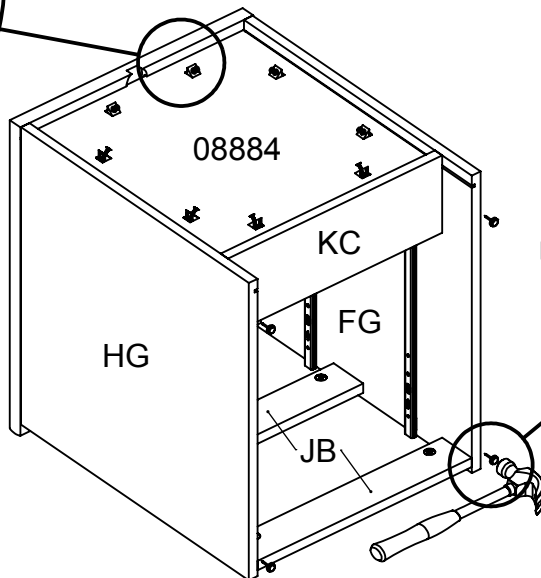
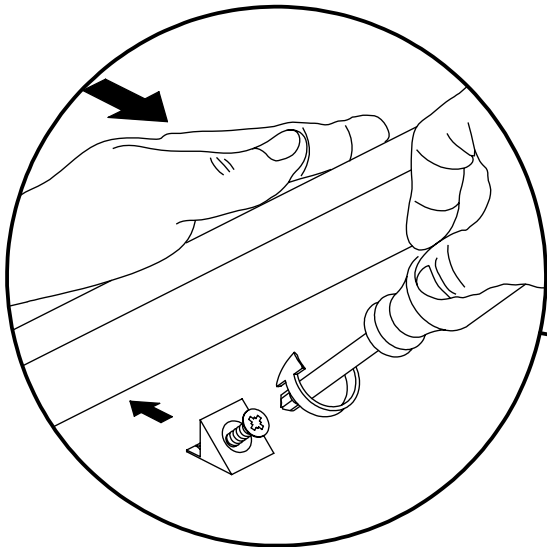
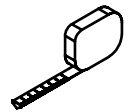


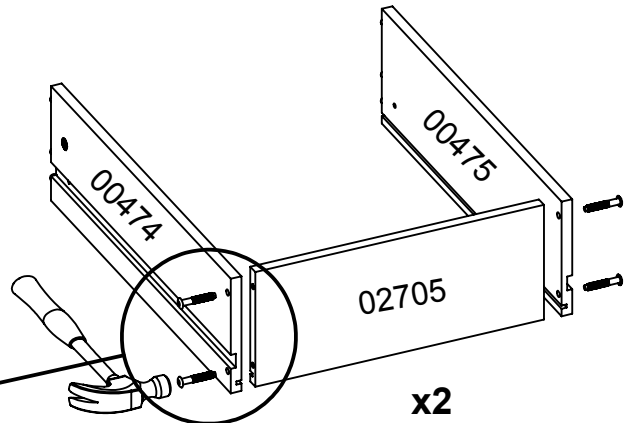
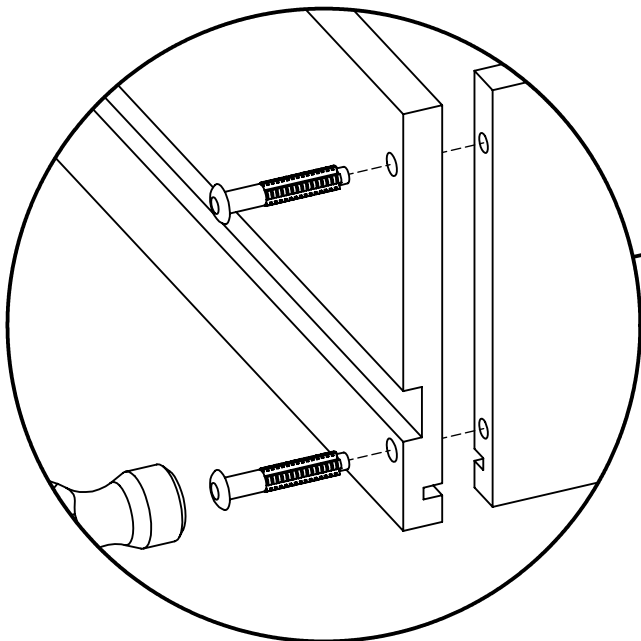
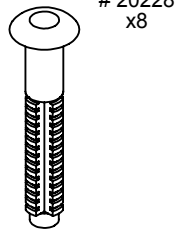
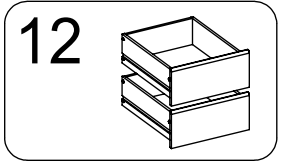
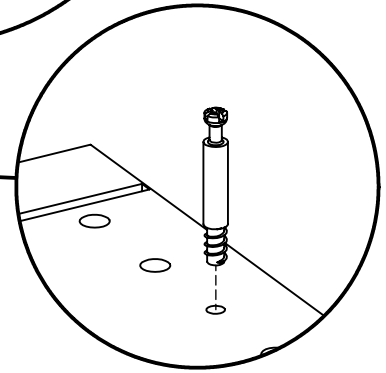
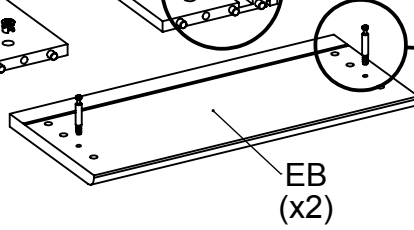
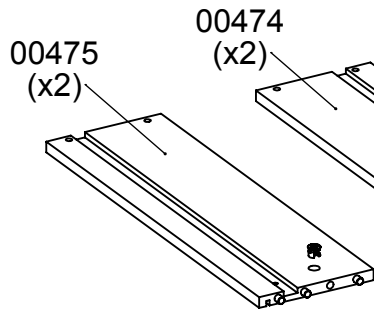
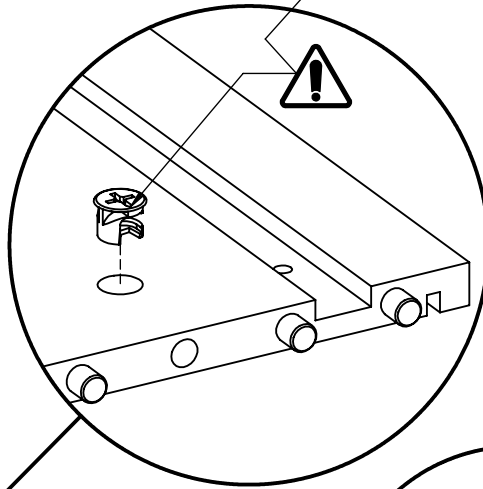
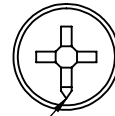
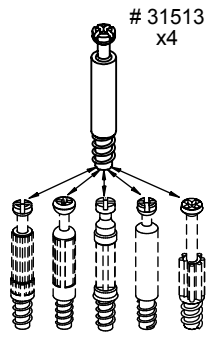
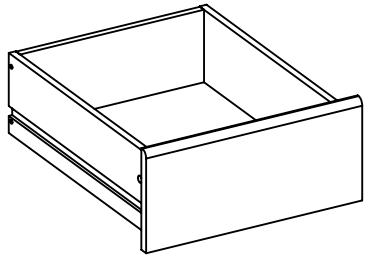
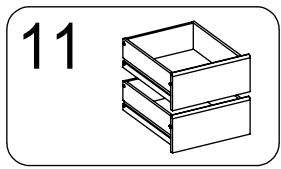




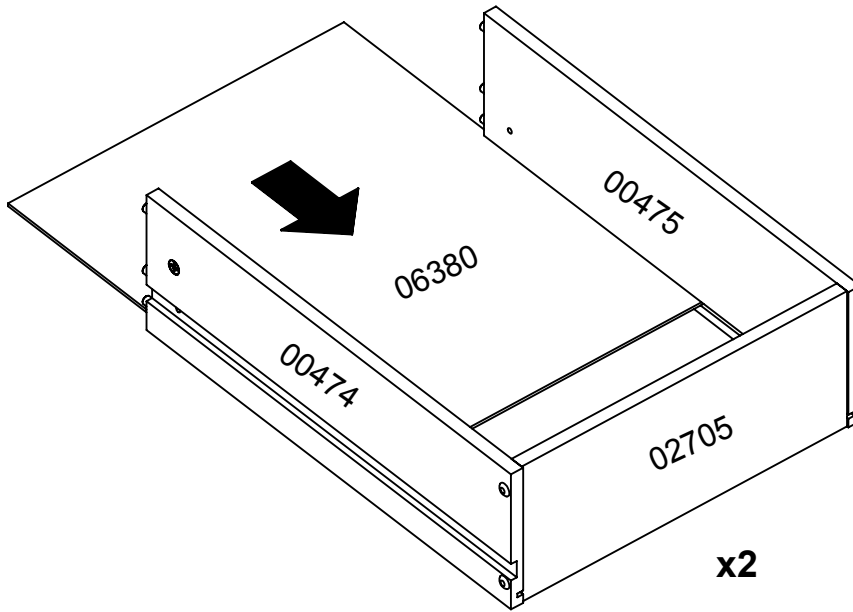


A = B

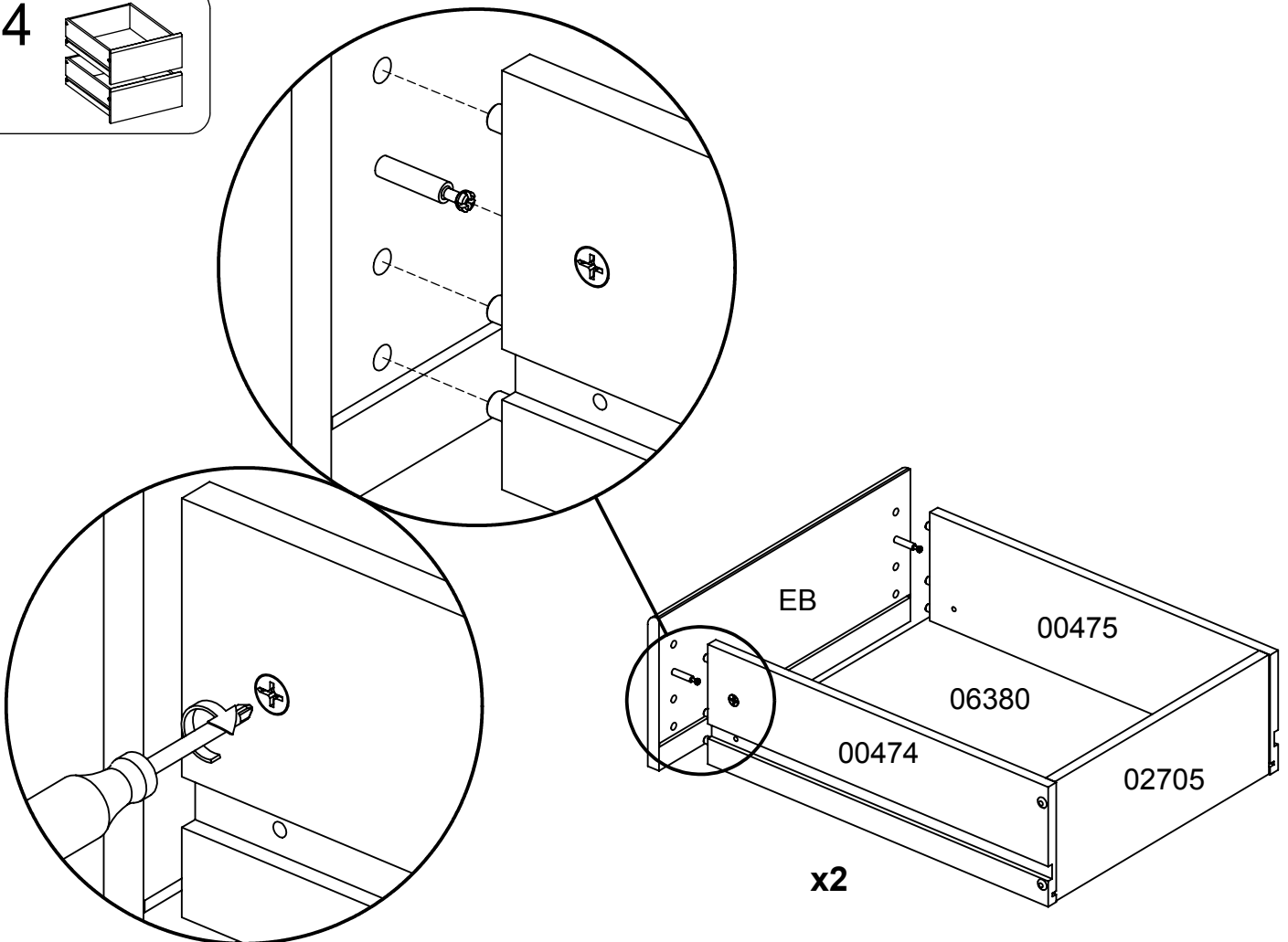
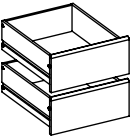


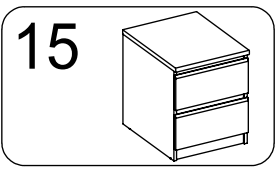


13



14





#26214
x4

