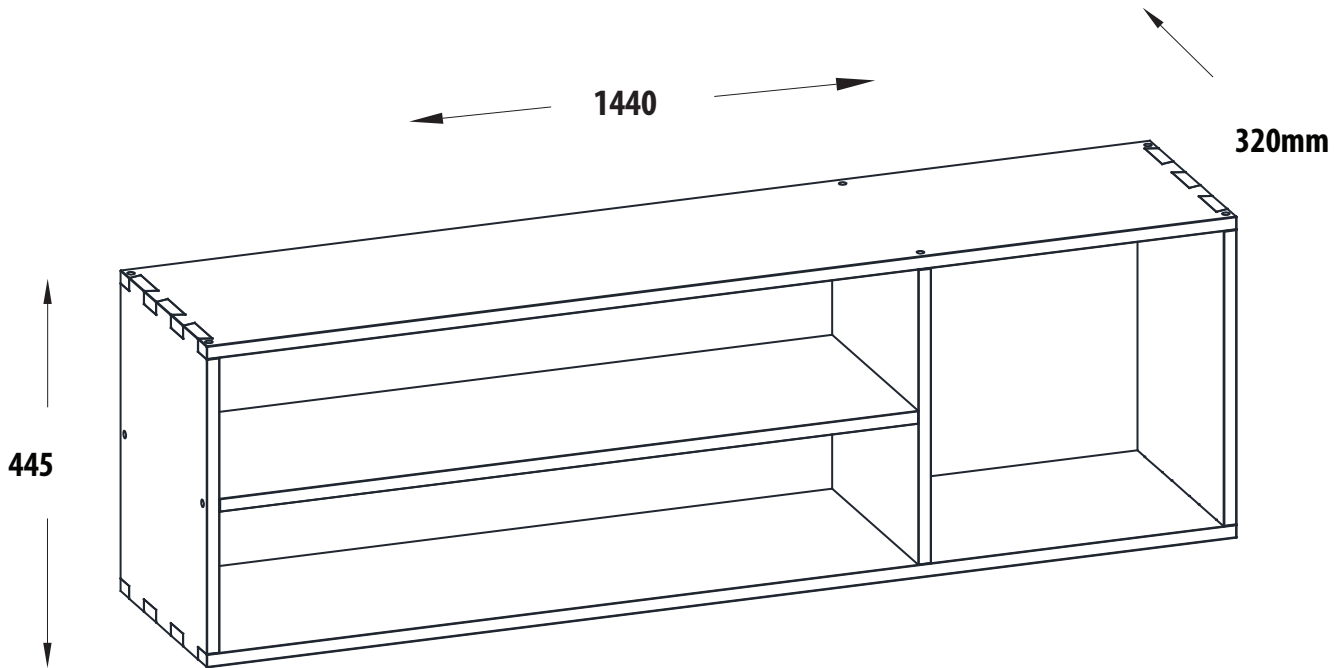
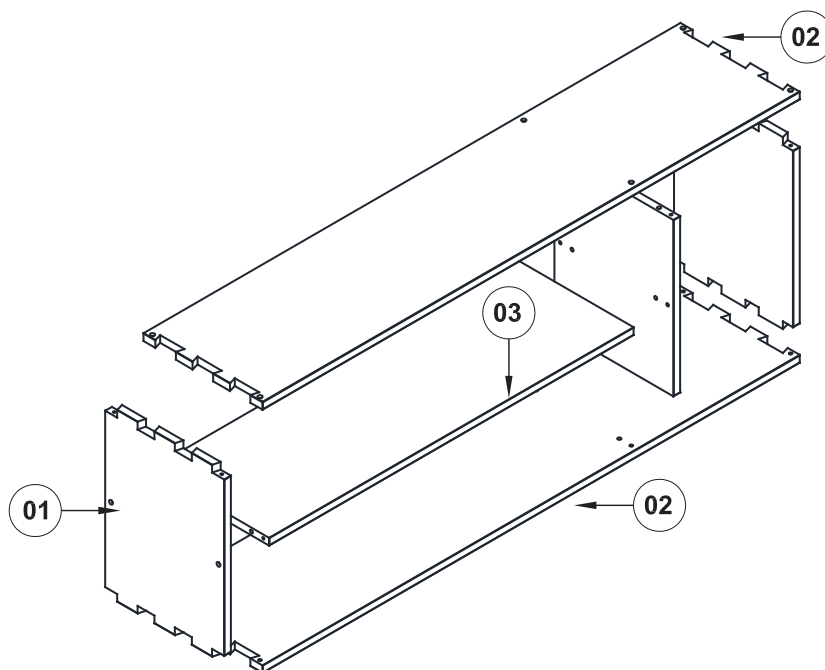
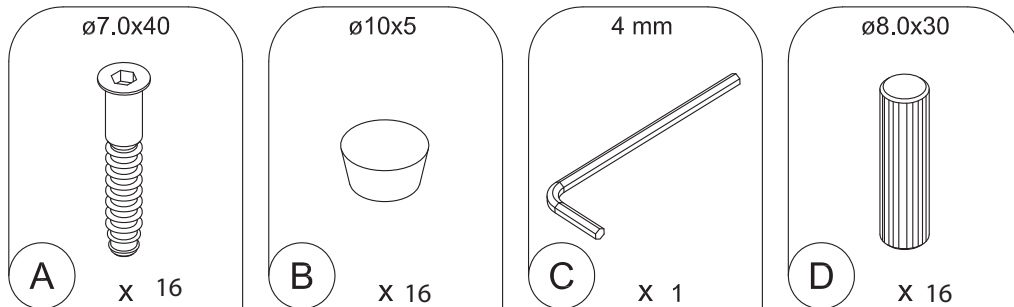


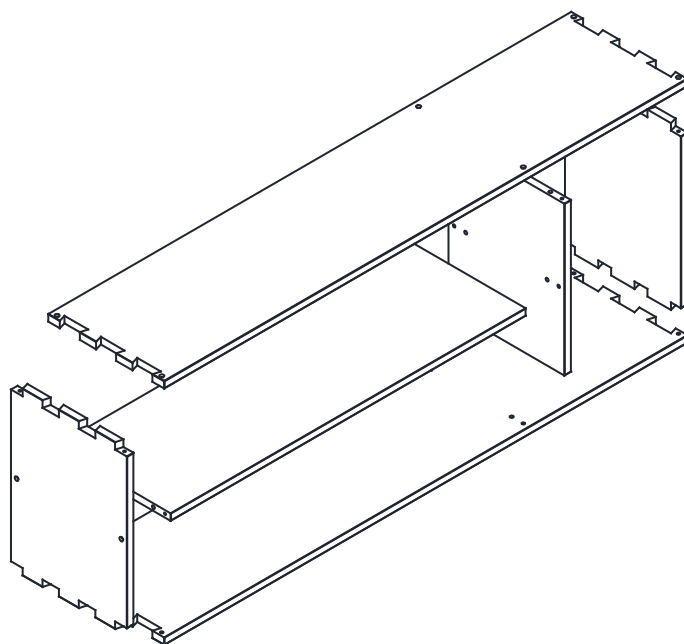


PUZZLE - TV

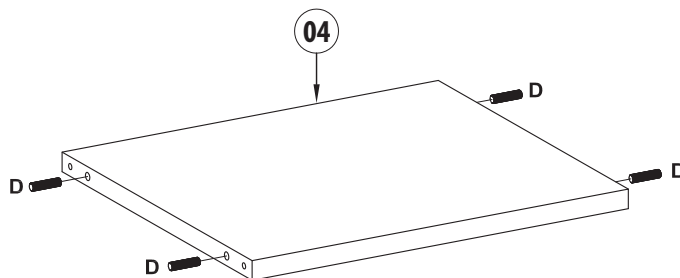
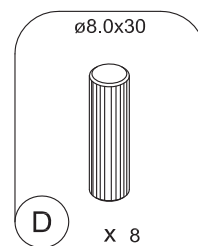
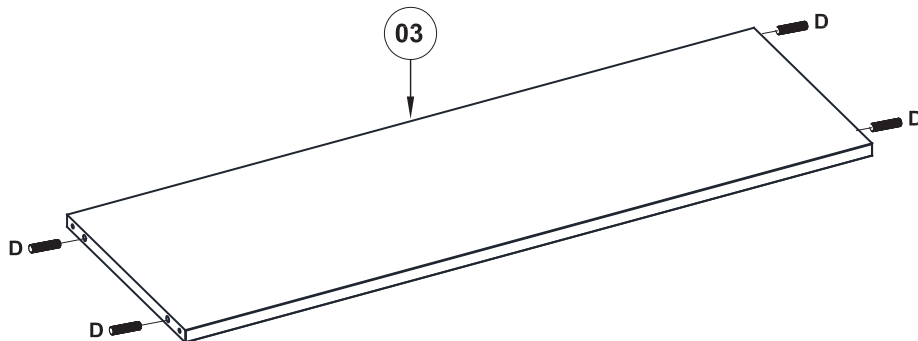




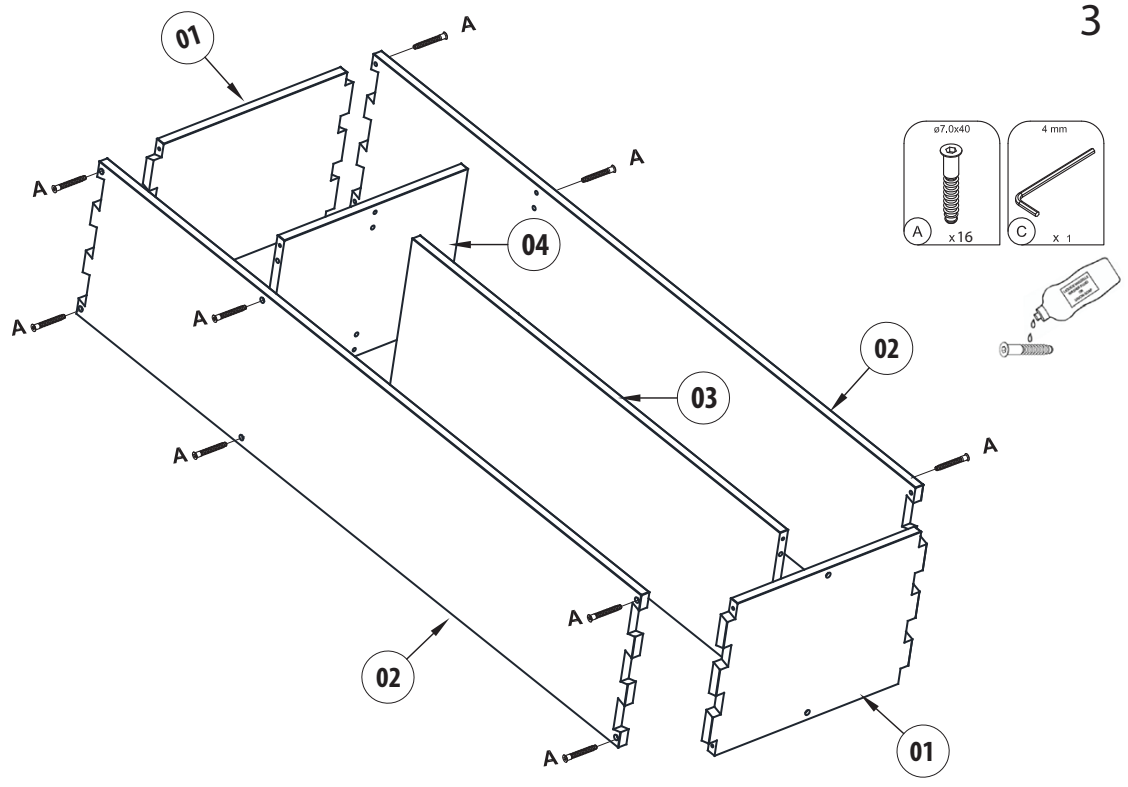
1



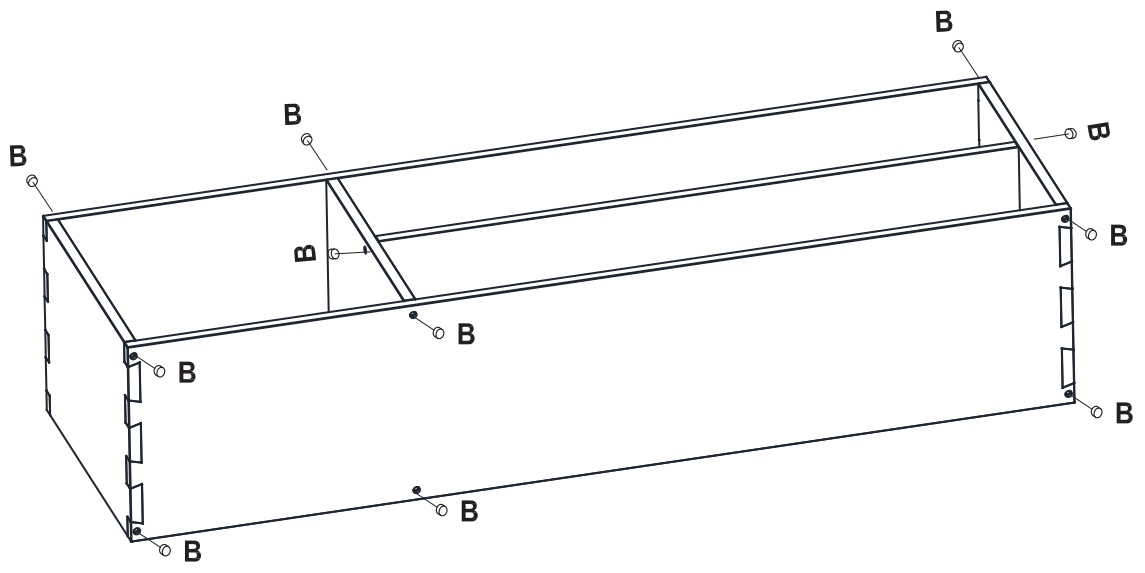
2



3



4



5

